

 **MEC** *MOTORS NV*

**WE HELP TO BUILD  
SUCCESSFUL BUSINESS**



HQ and central warehouse, 26.000 m2, the Netherlands



Warehouse, Germany



Office, Spain



Warehouse, Spain



Factory, 25.000 m2



Office, Germany



Office, France



Office, USA



# OMECE HEADQUARTERS & DUTCH WAREHOUSES

---



Omec Motors is part of the Peja group founded by Peter Burgers and Jacob Stenfert in 1937.

Today Peter and Jacob would be surprised to see how the organization has grown in to a global company but pleased to see that it has retained its personal touch.

We pride ourselves by continuously making it easy for customers to deal with us by having trained technical staff that can converse in over 14 languages and you will speak directly to a qualified person every time.

Innovation and new ideas has been the root to our success and this follows on today. As an example, we not only manufacture the motors within the group but also have set up a direct supply line from the factory to our customers.

The result is keeping costs low which results in much quicker delivery times.

Global purchasing forms part of our plan to pass on to you the customer the very best deals, developed through our bartering history and experience in trading since 1937.

Now established in more than 20 countries we are one of the largest independent manufacturers and distributors in Europe.

A true solution provider with the environment and energy conservation at the forefront of our manufacturing and future plans.

You do not just buy a motor from us you get a long term solution with life costs always taken into consideration

# MAIN PRODUCTS

---

## LOW VOLTAGE THREE PHASE ASYNCHRONOUS MOTOR

**1. OMT1 series** low voltage cast iron motor  
IE1, IE2, IE3  
frame size: 80-560mm  
output range: 0.18-2000KW

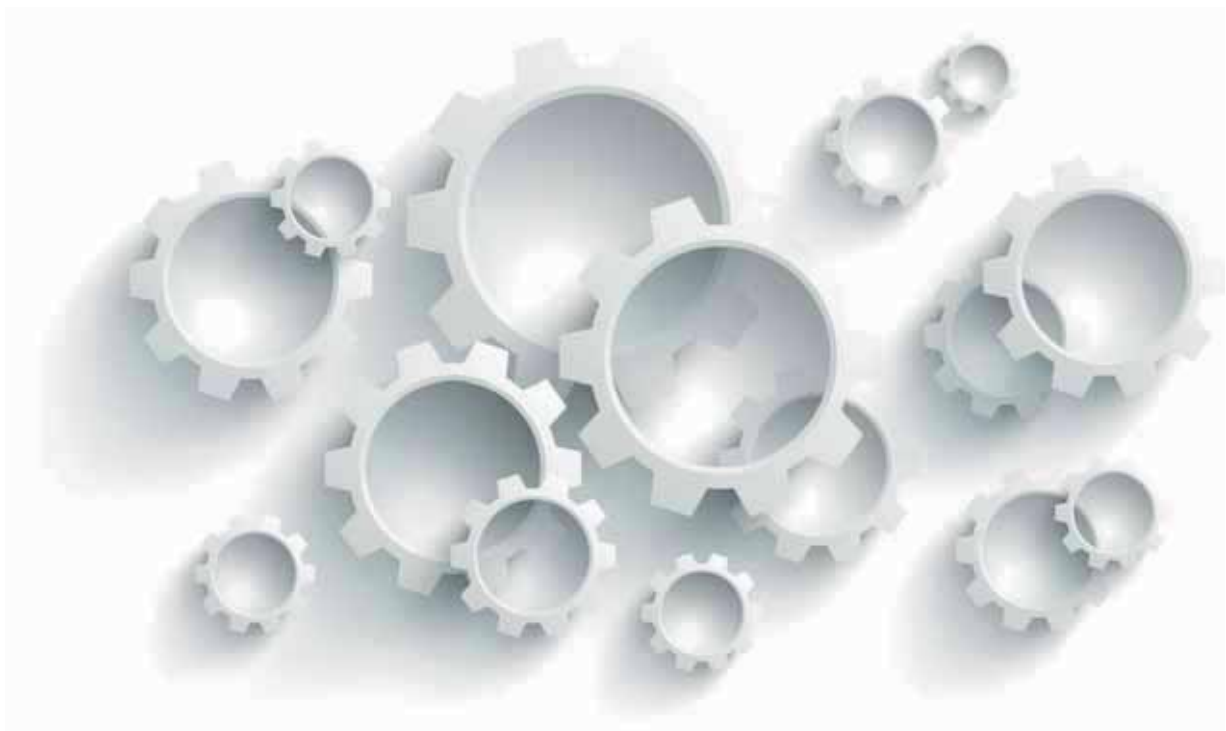
**2. OMT2 series** aluminum motor  
IE1, IE2, IE3  
frame size: 56-160mm  
output range: 0.06-18,5KW

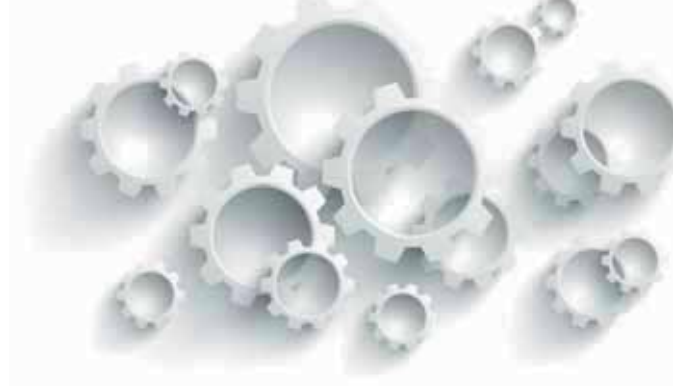
**3. OM-GO series** cast iron  
frame size 63-560mm  
output range: 0,18-2000KW

**4. OMT-ODP series** European high efficiency  
motor. frame size 160-355mm  
output range: 11-710KW  
Australia MEPS HE

Included in our manufacturing program but  
not displayed in this catalogue:

- HV motors
- Single phase motors
- Break motors
- Explosion proof motors EExd and EExde
- Slipring motors
- Special voltage motors
- Special motors





# OMECS MOTOR DESCRIPTION

## 1. The basic types of motor

- Protection class IP54, IP55, IP23
- Cooling method IC411, IC410
- Mounting method B3, B35, B5, B14, B34, V1
- Insulation class F
- Work duty S1

## 2. Environment of motor use

- Not more than 1000m above sea level
- Ambient air temperature range -20 ~ +40
- Ambient air humidity, monthly mean maximum relative humidity of 90%, while average monthly temperature is not higher than 25 ;
- Environmental sites, no inflammable gas, no corrosive gas, no dust

## 3. Motor power

- Allow voltage fluctuation  $\pm 5\%$ , frequency fluctuation  $\pm 2\%$ , voltage and frequency fluctuations  $\pm 5\%$  combined

## 4. Motor structure,performance

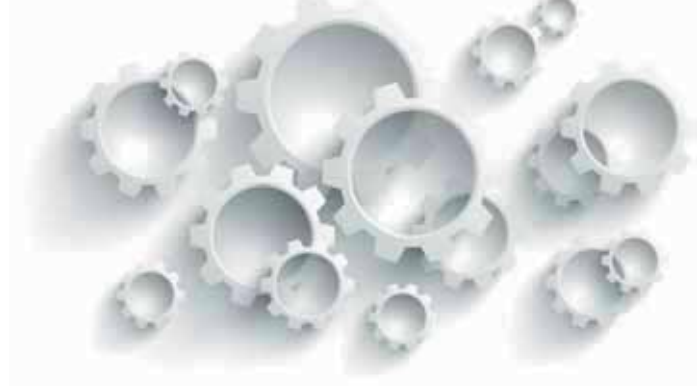
- Motor structure, type, parameters, performance, comply with international standard IEC and related standard rules.see table 1.
- Motor installation structure meet IEC60034-7 requirements. See Table 2
- General Motors designed for single shaft, according to user needs, increase the second shaft
- Motor shaft to bear the load limit does not exceed the provisions of Table 3,4 Not include OM-ODP OM-X serious motor
- See all the electrical properties of motor series from 'technical data sheet'
- Motor noise limits, according to sound power press assessment in line with ISO1080 requirements.see table 5 to 9

## 5. Terminal box, bearing and regreasable device.

- Motor terminal box, general motors factory for
- supporting cast iron terminal box, aluminum motor from factory supporting the aluminum
- die-casting terminal box. Tensile steel plate terminal box is also available from factory,terminal box according to customer contacts the material, type, and outlet, the number of outlet, can meet customer requirements. See Table 10 ~ 13
- Motor bearing configuration, see Table 14 to 20, customers with special needs motor, special design can be done.
- Motor greasable device, general-purpose motor, Frame 200 to 560 have greasable devise, with customer specific requirements, frame size can be increased to 160,180


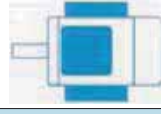
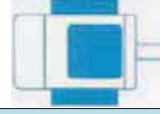
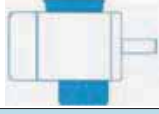


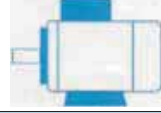


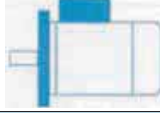





## 6.To meet the specific needs of customers

- Different voltage
- Different frequency
- Protection class IP56 IP65
- Low noise,low vibration
- With Winding temperature detectors
- With bearing temperature detectors
- With space heaters



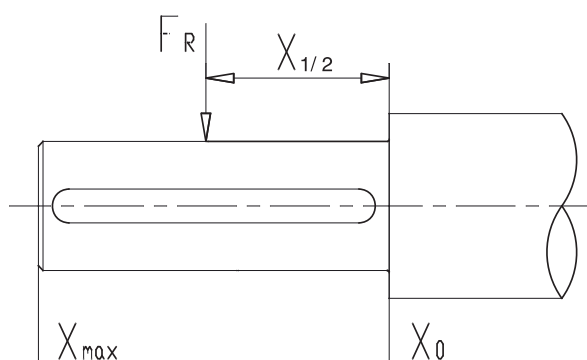
# MOUNTING TYPE AS PER IEC RULES

TABLE 2

MOUNTING TYPE	IMB3	IMB6	IMB7	IMB8	IMV5
REFERENCE DRAWING					
FRAME SIZE	63-355	63-160			
MOUNTING TYPE	IMV6	IMB34	IMB14	IMV18	IMB5
REFERENCE DRAWING					
FRAME SIZE	63-160	63-112			63-280
MOUNTING TYPE	IMV1	IMV3	IMB35	IMV15	IMV36
REFERENCE DRAWING					
FRAME SIZE	63-355	63-160	63-355	63-160	



# PERMISSIBLE RADIAL LOADS FOR HORIZONTAL AND VERTICAL MOUNTING



The following table give the permissible radial forces in Newton, assuming zero axial force and standard ball bearings. In case of higher radial than give in the table an enforced bearing should be ordered. The values are based on normal conditions at 50 Hz and calculated at 20.000 working hours for the two pole motors and 40.000 working hours for 4,6 and 8 poles. For 60 Hz the value must be reduced by 10%. For two speed motors, the values have to be based at the higher speed.

## Pulley Diameter

When the desired bearing life has been determined, the minimum pulley diameter can be calculated with the following formule:

$$D = \frac{1.9 \cdot 10^7 \cdot k \cdot P_N}{n_N \cdot F_R}$$

D—diameter of the pulley (mm)

$P_N$ —power of the motor (kW)

$n_N$ —motor rated speed(r/min)

k—belt tension factor ,k=2.5 for V-belt

$F_{R(x)}$ —permissible radial force (N)

$F_R = F_{X0} - \frac{X}{E} (FX0F_{xmax})$  (N)

E—the length of the shaft diameter (mm)

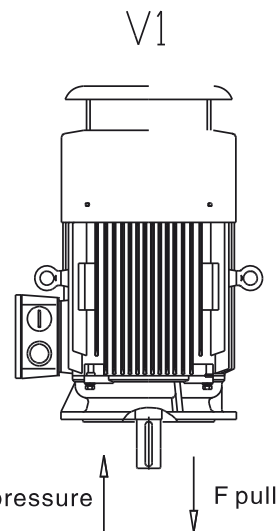
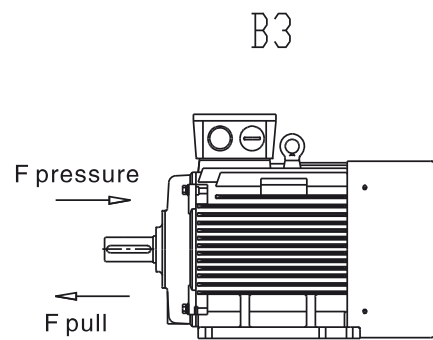
TABLE 3

SIZE	POLE	Maximum radial force ( $F_R$ )		
		$X_0$	$X_{1/2}$	$X_{max}$
56	2	250	180	100
56	4	250	180	100
63	2	360	300	230
63	4	360	300	230
71	2	470	400	320
71	4	470	400	320
71	6	470	400	320
80	2	670	610	550
80	4	730	650	590
80	6	830	750	680
80	8	920	820	750
90	2	740	660	590
90	4	800	710	630
90	6	920	810	730
90	8	1010	890	800
100	2	1030	920	820
100	4	1110	990	890
100	6	1270	1130	1020
100	8	1400	1240	1120
112	2	1490	1330	1200
112	4	1600	1430	1290
112	6	1840	1640	1480
112	8	2020	1800	1630
132	2	2160	1900	1690
132	4	2330	2040	1820
132	6	2670	2340	2080
132	8	2940	2570	2290
160	2	2800	2440	2170
160	4	3000	2630	2330
160	6	3440	3010	2670
160	8	3850	3410	3060
180	2	3930	3500	3150
180	4	4240	3770	3390
180	6	4890	4390	3980
180	8	5380	4830	4380
200	2	4480	4050	3700
200	4	4820	4360	3980
200	6	5520	5000	4560
200	8	6080	5500	5020
225	2	5000	4540	4160
225	4	5360	4720	4210
225	6	6180	5480	4920
225	8	6750	5940	5310
250	2	5680	5100	4620
250	4	6120	5490	4980
250	6	7000	6280	5700
250	8	7710	6920	6270
280	2	5620	5080	4640
280	4	7790	7050	6430
280	6	8920	8060	7360
280	8	9820	8880	8100
315	2	7370	6840	6390
315	4	9150	8370	7720
315	6	10480	9590	8830
315	8	11530	10550	9720
355*	2	16330	15390	8730
355*	4	28300	25860	14290
355*	6	32400	29600	16350
355*	8	35660	32580	18000
400*	4	33730	31140	19280
400*	6	38610	35650	22070
400*	8	42500	39240	24290

# PERMISSIBLE AXIAL LOADS FOR HORIZONTAL AND VERTICAL MOUNTING

TABLE 3

SIZE	POLE	Maximum axial force (F <sub>A</sub> )			
		B3 F pressure	B3 F pull	V1 F pressure	V1 F pull
56	2	200	200	230	180
56	4	240	240	260	200
63	2	250	250	260	230
63	4	280	280	300	260
71	2	270	270	290	255
71	4	350	350	370	320
71	6	440	440	460	420
80	2	380	380	400	360
80	4	470	470	490	450
80	6	590	590	620	560
80	8	620	620	650	595
90	2	440	440	470	410
90	4	550	550	600	510
90	6	620	620	680	460
90	8	640	640	700	580
100	2	610	610	670	570
100	4	750	750	840	710
100	6	880	880	970	820
100	8	895	895	970	845
112	2	1220	1220	1300	1170
112	4	1440	1440	1520	1370
112	6	1650	1650	1740	1580
112	8	1780	1780	1880	1710
132	2	1500	1500	1620	1430
132	4	1780	1780	1970	1610
132	6	1820	1820	2000	1660
132	8	1920	1920	2100	1760
160	2	1650	1650	1950	1350
160	4	2100	2100	2470	1720
160	6	2450	2450	2800	2050
160	8	2650	2650	3050	2210
180	2	2100	2100	2450	1720
180	4	2600	2600	3200	2000
180	6	2900	2900	3510	2280
180	8	3170	3170	3780	2550
200	2	2400	2400	2940	1840
200	4	3120	3120	3850	2390
200	6	3480	3480	4350	2610
200	8	3950	3950	4810	3090
225	2	2720	2720	3420	2020
225	4	3480	3480	4370	2590
225	6	3890	3890	5040	2820
225	8	4330	4330	5330	3330
250	2	3100	3100	3940	2260
250	4	3900	3900	5000	2800
250	6	4450	4450	5570	3230
250	8	4980	4980	6380	3580
280	2	5300	3100	6500	2100
280	4	6300	4400	7800	3000
280	6	6700	4300	7900	2900
280	8	7100	5020	9100	3520
315	2	5900	3800	8000	2000
315	4	7100	5100	10700	3150
315	6	7600	5800	11800	3500
315	8	8100	6300	12500	4400
355*	2	6100	1850	14000	800
355*	4	9800	3900	18300	2500*
355*	6	10500	4700	20700	3500*
355*	8	12500	6000	21500	3600*
400*	4	11200	3900	18500	1600*
400*	6	12500	4800	19500	2200*
400*	8	12800	4950	21500	2900*



The following table gives the permissible axial forces in Newton, assuming zero radial force. In this case motor should be ordered with standard ball bearings. In case of higher axial force than given in the table an angular contact bearing should be ordered. The values are based on normal conditions at 50HZ and calculated at 20000 working hour for two pole motors and 40000 hours for 4,6 and 8 pole motors. At 60HZ the values must be reduced by 10%. For two-speed motors, the values have to be based at the higher speed.

F<sub>pressure</sub> is calculated for a fixed bearing at the DE.



# NOISE LEVEL

Frame Size	Synchronous speed r/min					
	3000	1500	1000	750	600	500
	Sound pressure level in dB(A)					
	noload	noload	noload	noload	noload	noload
0.37	/	/	44	42	39	43
0.55	/	45	44	42	39	43
0.75	56	45	46	43	42	47
1.1	55	49	46	43	42	53
1.5	60	49	50	46	47	53
2.2	60	48	52	48	49	59
3	64	49	55	49	54	59
4	65	49	55	54	54	59
5.5	68	52	55	54	57	61
7.5	68	54	59	55	57	61
11	74	54	59	57	59	64
15	74	59	59	58	59	68
18.5	74	59	63	60	59	71
22	77	61	63	60	63	71
30	79	62	63	62	63	74
37	79	63	64	63	63	74
45	79	67	66	63	65	74
55	80	67	66	64	65	74
75	81	69	68	64	65	71
90	82	72	68	65	65	71
110	84	72	69	65	67	71
132	84	75	69	70	67	/
160	85	75	70	70	67	/
200	85	77	71	71	67	/
250	88	77	71	71	67	/
280	88	77	71	71	67	/
315	88	81	74	73	/	/
355	88	81	74	73	/	/
400	92	81	74	73	/	/
450	92	84	74	/	/	/
500	92	84	74	/	/	/
560	/	86	/	/	/	/

Frame Size	Synchronous speed r/min			
	3000	1500	1000	750
	Sound pressure level in dB(A)			
	noload	noload	noload	noload
0.2	65	58	/	/
0.4	68	60	59	59
0.75	72	62	60	59
1.5	74	65	60	60
2.2	76	66	61	60
3.7	79	70	63	62
5.5	82	72	65	65
7.5	83	75	68	67
11	85	76	70	69
15	85	80	72	70
18.5	88	80	75	74
22	88	80	77	75
30	89	82	79	75
37	89	83	79	75
45	91	84	81	77
55	91	84	82	77
75	92	87	82	80
90	92	87	82	80
110	94	87	83	80
132	94	90	83	/
160	94	90	83	/
200	94	90	/	/

Frame Size	Synchronous speed r/min					
	3000	1500	1000	750	600	500
	Sound pressure level in dB(A)					
H355	85	82	78	75	70	70
H400	90	85	82	78	73	73
H450	93	90	86	82	77	77
H500	/	94	88	85	80	80
H560	/	/	88	85	80	80

Frame Size	Synchronous speed r/min					
	3000	1500	1000	750	600	500
	Sound pressure level in dB(A)					
	noload	noload	noload	noload	noload	noload
0.09	/	/	/	/	40	/
0.12	/	45	/	/	40	/
0.18	50	45	45	42	40	40
0.25	50	46	45	42	40	40
0.37	54	46	46	44	40	44
0.55	54	47	46	44	40	44
0.75	57	47	48	45	43	48
1.1	57	51	48	45	43	54
1.5	62	51	52	48	48	54
2.2	62	52	54	50	50	60
3	66	52	57	51	55	60
4	67	55	57	56	55	60
5.5	70	57	57	56	58	62
7.5	70	57	61	57	58	62
11	76	62	61	59	60	65
15	76	62	61	60	60	69
18.5	76	64	65	62	60	72
22	79	65	65	62	64	72
30	81	66	65	64	64	75
37	81	70	66	65	64	75
45	81	70	68	65	66	75
55	82	72	68	66	66	75
75	83	75	70	66	66	72
90	84	75	70	67	66	72
110	86	78	71	67	68	72
132	86	78	71	72	68	/
160	87	80	72	72	68	/
200	87	80	73	73	68	/
250	90	84	73	73	68	/
280	90	84	73	73	68	/
315	90	84	76	75	/	/
355	90	84	76	75	/	/
400	94	87	76	75	/	/
450	94	87	76	/	/	/
500	94	89	76	/	/	/
560	/	89	/	/	/	/

Frame Size	Synchronous speed r/min			
	3000	1500	1000	750
	Sound pressure level in dB(A)			
	noload	noload	noload	noload
11	/	66	63	62
15	72	66	63	62
18.5	72	66	63	63
22	72	67	65	63
30	77	67	65	64
37	77	68	67	65
45	81	68	68	65
55	81	70	68	67
75	82	73	70	67
90	83	73	70	68
110	83	74	71	68
132	83	74	71	68
160	84	81	74	68
180	/	/	74	/
200	84	81	75	72
225	/	/	75	72
250	84	82	75	73
280	84	82	76	73
315	85	83	76	73
355	85	83	76	/
400	85	83	76	/
450	85	/	76	/
500	86	84	76	/
560	86	84	/	/
630	86	84	/	/
710	86	84	/	/

# TERMINAL BOX AND BEARINGS

Terminal box Table 10

Frame size	Gland Type	Dimension
56	1-M20 x 1.5	92 x 92 x 44
63 - 100	1-M20 x 1.5	106 x 108 x 65
112 - 132	1-M25 x 1.5	124 x 128 x 78
160 - 180	2-M32 x 1.5	158 x 168 x 90
200 - 225	2-M50 x 1.5	196 x 216 x 105
250 - 280	2-M63 x 1.5	226 x 226 x 124
315	2-M63 x 1.5	303 x 303 x 170
355	2-M72 x 2.0	360 x 485 x 200
400	7-M63 x 1.5	430 x 545 x 275

Terminal box used for Aluminum frame Table 11

Frame size	Gland Type	Dimension
56-71	1-M20 x 1.5	92 x 92 x 44
80-100	1-M25 x 1.5	100 x 100 x 48
112-132	1-M32 x 1.5	112 x 112 x 58
160-180	2-M32 x 1.5	158 x 168 x 90

Terminal box used for OM-ODP frame Table 12

Frame size	Gland Type	Dimension
160, 180	2-M50 x 1.5	200x250x115
200, 225	2-M63 x 1.5	226x280x123
250	2-M63 x 1.5	303x335x166
280	2-M63 x 1.5	370x470x170
315	3-M63 x 1.5	370x470x170
355	7-M63 x 1.5	510x630x275

Terminal box used for OM-X motor Table 13

Frame size	Gland Type	Dimension
355X, 400X	7-M63 x 1.5	430x545x250
450X, 500X, 560X	7-M63 x 1.5	660x770x300

Bearing : used for OM, OM-HE, OMA, OMA-HE, OM-GW, OMA-GW, OMB, OM2, OMA2 motors Table 14

Frame	2 Pole		4 Pole		>6 Pole	
	DE	NDE	DE	NDE	DE	NDE
56	6201ZZ	6201ZZ	6201ZZ	6201ZZ	-	-
63	6201ZZ	6201ZZ	6201ZZ	6201ZZ	-	-
71	6202 ZZ	6202 ZZ	6202 ZZ	6202 ZZ	6202 ZZ	6202 ZZ
80	6204ZZ	6204ZZ	6204ZZ	6204ZZ	6204ZZ	6204ZZ
90	6205ZZ/C3	6205ZZ/C3	6205ZZ/C3	6205ZZ/C3	6205ZZ/C3	6205ZZ/C3
100	6206ZZ/C3	6206ZZ/C3	6206ZZ/C3	6206ZZ/C3	6206ZZ/C3	6206ZZ/C3
112	6306ZZ/C3	6306ZZ/C3	6306ZZ/C3	6306ZZ/C3	6306ZZ/C3	6306ZZ/C3
132	6308ZZ/C3	6308ZZ/C3	6308ZZ/C3	6308ZZ/C3	6308ZZ/C3	6308ZZ/C3
160	6309ZZ/C3	6309ZZ/C3	6309ZZ/C3	6309ZZ/C3	6309ZZ/C3	6309ZZ/C3
180	6311 ZZ/C3	6311 ZZ/C3	6311 ZZ/C3	6311 ZZ/C3	6311 ZZ/C3	6311 ZZ/C3
200	6312 ZZ/C3	6312 ZZ/C3	6312 ZZ/C3	6312 ZZ/C3	6312 ZZ/C3	6312 ZZ/C3
225	6313 ZZ/C3	6313 ZZ/C3	6313ZZ/C3	6313ZZ/C3	6313 ZZ/C3	6313ZZ/C3
250	6314 ZZ/C3	6314 ZZ/C3	6314 ZZ/C3	6314 ZZ/C3	6314 ZZ/C3	6314 ZZ/C3
280	6314C3	6314C3	6317C3	6317C3	6317C3	6317C3
315	6317C3	6317C3 7317B (V1)	6319C3	6319C3 76319B (V1)	6319C3	6319C3 76319B (V1)
355	6317C3	6317C3 7317B (V1)	6322C3	6320C3 76320 B (V1)	6322C3	6320C3 76320 B (V1)
400	6317C3	6317C3 7317B (V1)	6326C3	6326C3 76326B (V1)	6326C3	6326C3 76326B (V1)

Bearing: used for OM-AS motors Table 15

Frame	2 Pole		4 Pole		>6 Pole	
	DE	NDE	DE	NDE	DE	NDE
80	6204ZZ	6204ZZ	6204ZZ	6204ZZ	6204ZZ	6204ZZ
90	6205ZZ/C3	6205ZZ/C3	6205ZZ/C3	6205ZZ/C3	6205ZZ/C3	6205ZZ/C3
100	6206ZZ/C3	6206ZZ/C3	6206ZZ/C3	6206ZZ/C3	6206ZZ/C3	6206ZZ/C3
100	6306ZZ/C3	6306ZZ/C3	6306ZZ/C3	6306ZZ/C3	6306ZZ/C3	6306ZZ/C3
112	6306ZZ/C3	6306ZZ/C3	6306ZZ/C3	6306ZZ/C3	6306ZZ/C3	6306ZZ/C3
132	6308ZZ/C3	6308ZZ/C3	6308ZZ/C3	6308ZZ/C3	6308ZZ/C3	6308ZZ/C3
160	6309ZZ/C3	6309ZZ/C3	6309ZZ/C3	6309ZZ/C3	6311ZZ/C3	6309ZZ/C3
180	6311 ZZ/C3	6311 ZZ/C3	6311 ZZ/C3	6311 ZZ/C3	6312 ZZ/C3	6311 ZZ/C3
200	6312 ZZ/C3	6312 ZZ/C3	6312 ZZ/C3	6312 ZZ/C3	6313 ZZ/C3	6312 ZZ/C3
225	6313 ZZ/C3	6313 ZZ/C3	6313ZZ/C3	6313ZZ/C3	6314 ZZ/C3	6313ZZ/C3
250	6314 ZZ/C3	6314 ZZ/C3	6314 ZZ/C3	6314 ZZ/C3	6317/C3	6314 ZZ/C3
280	6314C3	6314C3	6317C3	6317C3	6319C3	6317C3
315	6317C3	6317C3 7317B (V1)	6319C3	6319C3 76319B (V1)	6322C3	6319C3 76319B (V1)
355	6317C3	6317C3 7317B (V1)	6322C3	6320C3 76320 B (V1)	6326C3	6320C3 76320 B (V1)
400	6317C3	6317C3 7317B (V1)	6326C3	6326C3 76326B (V1)	6326C3	6326C3 76326B (V1)

# TECHNICAL DATA BEARINGS

Bearing: used for OM–KS motors

Table 16

Frame	2 Pole		4 Pole		>6 Pole	
	DE	NDE	DE	NDE	DE	NDE
63	6201ZZ	6201ZZ	6201ZZ	6201ZZ	6201ZZ	6201ZZ
71	6202 ZZ	6202 ZZ	6202 ZZ	6202 ZZ	6202 ZZ	6202 ZZ
80	6204ZZ	6204ZZ	6204ZZ	6204ZZ	6204ZZ	6204ZZ
90	6205ZZ/C3	6205ZZ/C3	6205ZZ	6205ZZ/C3	6205ZZ/C3	6205ZZ
100	6306ZZ/C3	6306ZZ/C3	6306ZZ/C3	6306ZZ/C3	6306ZZ/C3	6306ZZ/C3
112	6306ZZ/C3	6306ZZ/C3	6306ZZ/C3	6306ZZ/C3	6306ZZ/C3	6306ZZ/C3
132	6308ZZ/C3	6308ZZ/C3	6308ZZ/C3	6308ZZ/C3	6308ZZ/C3	6308ZZ/C3
160	6309ZZ/C3	6309ZZ/C3	6309ZZ/C3	6309ZZ/C3	6309ZZ/C3	6309ZZ/C3
180M	6311 ZZ/C3	6311 ZZ/C3	6311 ZZ/C3	6311 ZZ/C3	6311 ZZ/C3	6311 ZZ/C3
180L	6312 ZZ/C3	6312 ZZ/C3	6312 ZZ/C3	6312 ZZ/C3	6312 ZZ/C3	6312 ZZ/C3
200	6312 ZZ/C3	6312 ZZ/C3	6313 ZZ/C3	6312 ZZ/C3	6313 ZZ/C3	6312 ZZ/C3
225	6313 ZZ/C3	6313 ZZ/C3	6315ZZ/C3	6313ZZ/C3	6315 ZZ/C3	6313ZZ/C3
250	6314 ZZ/C3	6314 ZZ/C3	6317ZZ/C3	6314 ZZ/C3	6317 ZZ/C3	6314 ZZ/C3
280	6314C3	6314C3	6319C3	6317C3	6319C3	6317C3
315	6317C3	6317C3 7317B (V1)	6320C3	6319C3 76319B (V1)	6320C3	6319C3 76319B (V1)

Bearing : used for OM–GO motors

Table 17

Frame	2 Pole		4 Pole		>6 Pole	
	DE	NDE	DE	NDE	DE	NDE
71	6204 ZZ	6202 ZZ	6204 ZZ	6202 ZZ	6204 ZZ	6202 ZZ
80	6205ZZ	6204ZZ	6205ZZ	6204ZZ	6205ZZ	6204ZZ
90	6205ZZ/C3	6205ZZ/C3	6205ZZ/C3	6205ZZ/C3	6205ZZ/C3	6205ZZ/C3
100	6306ZZ/C3	6306ZZ/C3	6306ZZ/C3	6306ZZ/C3	6306ZZ/C3	6306ZZ/C3
112	6307ZZ/C3	6306ZZ/C3	6307ZZ/C3	6306ZZ/C3	6307ZZ/C3	6306ZZ/C3
132	6308ZZ/C3	6308ZZ/C3	6308ZZ/C3	6308ZZ/C3	6308ZZ/C3	6308ZZ/C3
160	6309ZZ/C3	6309ZZ/C3	6311ZZ/C3	6309ZZ/C3	6311 ZZ/C3	6309ZZ/C3
180	6311 ZZ/C3	6311 ZZ/C3	6312 ZZ/C3	6311 ZZ/C3	6312 ZZ/C3	6311 ZZ/C3
200	6313 ZZ/C3	6312 ZZ/C3	6313 ZZ/C3	6312 ZZ/C3	6313 ZZ/C3	6312 ZZ/C3
225	6313 ZZ/C3	6313 ZZ/C3	6315ZZ/C3	6313ZZ/C3	6315 ZZ/C3	6313ZZ/C3
250	6314 ZZ/C3	6314 ZZ/C3	6317 ZZ/C3	6314 ZZ/C3	6317 ZZ/C3	6314 ZZ/C3
280	6315C3	6314C3	6317C3	6317C3	6317C3	6317C3
315	6317C3	6317C3 7317B (V1)	6319C3	6319C3 76319B (V1)	6319C3	6319C3 76319B (V1)

Bearing: used for OM–ODP motors

Table 18

Frame	2 Pole		4 Pole		>6 Pole	
	DE	NDE	DE	NDE	DE	NDE
160	6310C3	6310/C3 6309/C3	6310C3	6310/C3 6309/C3	6310C3	6310/C3 6309/C3
180	6312C3	6312C3	6312C3	6312C3	6312C3	6312C3
200	6313C3	6313C3	6313C3	6313C3	6313C3	6313C3
225	6314C3	6314C3	6314C3	6314C3	6314C3	6314C3
250	6314C3	6314 C3	6317C3	6317C3	6317C3	6317C3
280	6314C3	6314C3	6318C3	6318C3	6318C3	6318C3
315	6317C3	6317C3 7317B (V1)	6319C3 (NU319)	6319C3 76319B (V1)	6319C3	6319C3 76319B (V1)
355	6319C3	6319C3 7319B (V1)	6322C3 (Nu322)	6320C3 76320 B (V1)	6322C3	6320C3 76320 B (V1)

Bering: used for OM–ZA motors

Table 19

Frame	2 Pole		4 Pole		>6 Pole	
	DE	NDE	DE	NDE	DE	NDE
63	6201ZZ	6201ZZ	6201ZZ	6201ZZ	6201ZZ	6201ZZ
71	6202 ZZ	6202 ZZ	6202 ZZ	6202 ZZ	6202 ZZ	6202 ZZ
80	6204ZZ	6204ZZ	6204ZZ	6204ZZ	6204ZZ	6204ZZ
90	6205ZZ/C3	6205ZZ/C3	6205ZZ/C3	6205ZZ/C3	6205ZZ/C3	6205ZZ/C3
100	6206ZZ/C3	6206ZZ/C3	6206ZZ/C3	6206ZZ/C3	6206ZZ/C3	6206ZZ/C3
112	6306ZZ/C3	6306ZZ/C3	6306ZZ/C3	6306ZZ/C3	6306ZZ/C3	6306ZZ/C3
132	6308ZZ/C3	6308ZZ/C3	6308ZZ/C3	6308ZZ/C3	6308ZZ/C3	6308ZZ/C3
160	6309ZZ/C3	6309ZZ/C3	6309ZZ/C3	6309ZZ/C3	6309ZZ/C3	6309ZZ/C3
180	6311 ZZ/C3	6311 ZZ/C3	6311 ZZ/C3	6311 ZZ/C3	6311 ZZ/C3	6311 ZZ/C3
200	6312 ZZ/C3	6312 ZZ/C3	6312 ZZ/C3	6312 ZZ/C3	6312 ZZ/C3	6312 ZZ/C3
225	6313 ZZ/C3	6313 ZZ/C3	6313ZZ/C3	6313ZZ/C3	6313 ZZ/C3	6313ZZ/C3
250	6314 ZZ/C3	6314 ZZ/C3	6316 ZZ/C3	6314 ZZ/C3	6316 ZZ/C3	6314 ZZ/C3
280	6317C3	6314C3	6319C3 (NU319)	6317C3	6319C3 (NU319)	6317C3
315	6317C3	6317C3 7317B (V1)	6319C3 (NU319)	6319C3 76319B (V1)	6319C3 (NU319)	6319C3 76319B (V1)
355	6317C3	6319C3 7319B (V1)	6322C3 (NU322)	6320C3 76320 B (V1)	6322C3 (NU322)	6320C3 76320 B (V1)
400	6317C3	6319C3 7319B (V1)	6326C3 (Nu326)	6326C3 76326B (V1)	6326C3 (Nu326)	6326C3 76326B (V1)

# TECHNICAL DATA BEARING

B3, B35

Bearing: used for OM-X motors

Table 20

Frame	2 Pole		4 Pole		>6 Pole	
	DE	NDE	DE	NDE	DE	NDE
355	6317C3	6317C3	6322C3 (NU322)	6322C3	6322C3 (NU322)	6322C3
400	6317C3	6317C3	6326C3 (NU326)	6326C3	6326C3 (NU326)	6326C3
450	6319C3	6319C3	6328C3 (NU328)	6328C3	6328C3 (NU328)	6328C3
500	/	/	6330C3 (Nu330)	6330C3	6330C3 (NU330)	6330C3
560	/	/	/	/	6334C3 (Nu334)	6330C3

V1

Bearing: used for OM-X motors

Table 20

Frame	2 Pole		4 Pole		>6 Pole	
	DE	NDE	DE	NDE	DE	NDE
355	6317C3	6317C3	6322C3 (NU322)	7322B	6322C3 (NU322)	7322B
400	6317C3	6317C3	6326C3 (NU326)	7326B	6326C3 (NU326)	7326B
450	6319C3	6319C3	6328C3 (NU328)	7328B	6328C3 (NU328)	7328B
500	/	/	6330C3 (Nu330)	7330B	6330C3 (NU330)	7330B
560	/	/	/	/	6334C3 (Nu334)	7330B

# OMT1

## Series Three Phase Asynchronous Motors

OM total enclosed cast iron structure normal efficiency motor complies with IE1 standard, the protection class is IP55, the insulation class size from 71 to 560. Motor complies with IEC60034, 60072 and DIN42673 standard.



# TECHNICAL DATA OMT1

Motor Type	Rated Power	Current			Rated Speed	Power factor	Efficiency		Locked Current Rated Current	Locked Torque Rated Torque	Maximum Torque Rated Torque	Moment Of Inertia	Weight
		380V	400V	420V			100%	75%					
	P <sub>N</sub> kW	I <sub>U</sub> A	I <sub>N</sub> A	I <sub>D</sub> A	n <sub>N</sub> r/min	COSφ	η %		I <sub>S</sub> /I <sub>N</sub>	M <sub>S</sub> /M <sub>N</sub>	M <sub>M</sub> /M <sub>N</sub>	J= $\frac{1}{2}GD^2$ kgm <sup>2</sup>	kg

## OM: 2 Pole -3000 r/min

OMT1 80K2	0.75	1.83	1.74	1.66	2845	0.83	75.0	74.1	6.1	2.2	2.3	0.00085	16
OMT1 80G2	1.1	2.62	2.49	2.37	2865	0.84	78.2	75.3	7.0	2.2	2.3	0.00110	17
OMT1 90S2	1.5	3.46	3.28	3.13	2875	0.84	78.5	78.1	7.0	2.2	2.3	0.00146	22
OMT1 90L2	2.2	4.85	4.61	4.39	2865	0.85	81.0	81.3	7.0	2.2	2.3	0.00185	25
OMT1 100L2	3.0	6.34	6.03	5.74	2860	0.87	82.6	82.5	7.5	2.2	2.3	0.00325	33
OMT1 112M2	4.0	8.20	7.79	7.42	2880	0.88	84.2	85.5	7.5	2.2	2.3	0.00550	40
OMT1 132S2	5.5	11.1	10.5	10.1	2925	0.88	85.7	85.3	7.5	2.2	2.3	0.01378	59
OMT1 132SX2	7.5	14.9	14.1	13.5	2930	0.88	87.0	87.3	7.5	2.2	2.3	0.01456	62
OMT1 160M2	11.0	21.3	20.2	19.3	2935	0.89	88.4	88.5	7.5	2.2	2.3	0.0442	107
OMT1 160MX2	15.0	28.7	27.2	25.9	2935	0.89	89.4	88.6	7.5	2.2	2.3	0.0549	117
OMT1 160L2	18.5	34.7	33.0	31.4	2935	0.90	90.0	90.1	7.5	2.2	2.3	0.0654	134
OMT1 180M2	22.0	41.1	39.0	37.2	2950	0.90	90.5	90.0	7.5	2.0	2.3	0.0955	169
OMT1 200L2	30.0	55.5	52.7	50.2	2950	0.90	91.4	90.6	7.5	2.0	2.3	0.153	220
OMT1 200LX2	37.0	67.9	64.5	61.5	2950	0.90	92.0	91.8	7.5	2.0	2.3	0.173	239
OMT1 225M2	45.0	82.2	78.1	74.3	2960	0.90	92.5	92.0	7.5	2.0	2.3	0.268	297
OMT1 250M2	55.0	99.9	94.9	90.4	2970	0.90	93.0	92.4	7.5	2.0	2.3	0.365	377
OMT1 280S2	75.0	136	129	123	2970	0.90	93.6	93.4	7.5	2.0	2.3	0.601	510
OMT1 280M2	90.0	160	152	145	2975	0.91	93.9	93.7	7.5	2.0	2.3	0.683	540
OMT1 315S2	110	196	186	177	2975	0.91	94.0	93.6	7.1	1.8	2.2	1.406	920
OMT1 315M2	132	233	222	211	2975	0.91	94.5	93.8	7.1	1.8	2.2	1.558	970
OMT1 315L2	160	280	266	253	2980	0.92	94.6	94.2	7.1	1.8	2.2	1.726	1080
OMT1 315LX2	200	348	331	315	2980	0.92	94.8	94.6	7.1	1.8	2.2	1.941	1170
OMT1 355M2	250	433	412	392	2985	0.92	95.3	94.5	7.1	1.6	2.2	3.296	1690
OMT1 355L2	280	484	460	438	2985	0.92	95.5	95.2	7.1	1.6	2.2	3.849	1775
OMT1 355LX2	315	544	517	492	2985	0.92	95.6	95.3	7.1	1.6	2.2	3.95	1850
OMT1 400M2	355	626	595	567	2990	0.90	95.7	95.5	7.5	1.4	2.0	7.45	2850
OMT1 400MX2	400	703	668	636	2990	0.90	96.0	95.4	7.5	1.5	2.0	7.95	2950
OMT1 400MY2	450	790	750	714	2990	0.90	96.1	95.8	7.5	1.3	2.0	8.60	3200
OMT1 400L2	500	868	824	785	2990	0.91	96.2	95.9	7.5	1.3	2.0	9.60	3340

## OM: 4 Pole -1500 r/min

OMT1 80K4	0.55	1.57	1.49	1.42	1415	0.75	71.0	69.4	5.2	2.3	2.3	0.00131	17
OMT1 80G4	0.75	2.05	1.95	1.86	1410	0.76	73.0	71.7	6.0	2.3	2.3	0.00148	18
OMT1 90S4	1.1	2.85	2.71	2.58	1420	0.77	76.2	76.5	6.0	2.3	2.3	0.00212	22
OMT1 90L4	1.5	3.68	3.49	3.33	1420	0.79	78.5	78.4	6.0	2.3	2.3	0.00287	28
OMT1 100L4	2.2	5.09	4.84	4.61	1440	0.81	81.0	79.5	7.0	2.3	2.3	0.00606	34
OMT1 100LX4	3.0	6.73	6.39	6.09	1445	0.82	82.6	81.9	7.0	2.3	2.3	0.00779	38
OMT1 112M4	4.0	8.80	8.38	7.96	1460	0.82	84.2	84.4	7.0	2.3	2.3	0.01176	44
OMT1 132S4	5.5	11.7	11.2	10.6	1450	0.83	85.7	85.5	7.0	2.3	2.3	0.02485	61
OMT1 132M4	7.5	15.6	14.8	14.1	1455	0.84	87.0	87.3	7.0	2.3	2.3	0.03301	73
OMT1 160M4	11.0	22.5	21.4	20.4	1465	0.84	88.4	88.8	7.0	2.2	2.3	0.0808	113
OMT1 160L4	15.0	30.0	28.5	27.2	1470	0.85	89.4	89.9	7.5	2.2	2.3	0.1052	133
OMT1 180M4	18.5	36.3	34.5	32.9	1470	0.86	90.0	90.1	7.5	2.2	2.3	0.1499	167
OMT1 180L4	22.0	43.0	40.8	38.9	1465	0.86	90.5	90.8	7.5	2.2	2.3	0.1659	181
OMT1 200L4	30.0	58.0	55.9	52.5	1470	0.86	91.4	91.7	7.2	2.2	2.3	0.273	232
OMT1 225S4	37.0	70.2	66.7	63.6	1475	0.87	92.0	91.9	7.2	2.2	2.3	0.469	287
OMT1 225M4	45.0	85.0	80.7	76.9	1475	0.87	92.5	92.5	7.2	2.2	2.3	0.538	322
OMT1 250M4	55.0	103	98.1	93.5	1480	0.87	93.0	92.9	7.2	2.2	2.3	0.689	381
OMT1 280S4	75.0	140	133	127	1485	0.87	93.6	93.6	7.2	2.2	2.3	1.267	510
OMT1 280M4	90.0	167	159	152	1485	0.87	93.9	93.5	7.2	2.1	2.3	1.552	600
OMT1 315S4	110	201	191	182	1485	0.88	94.5	94.3	6.9	2.1	2.2	2.980	921
OMT1 315M4	132	240	229	218	1485	0.88	94.8	94.7	6.9	2.1	2.2	3.480	1002
OMT1 315L4	160	288	274	261	1485	0.89	94.9	94.6	6.9	2.1	2.2	3.678	1070
OMT1 315LX4	200	360	341	325	1485	0.89	95.0	94.9	6.9	2.1	2.2	4.470	1181
OMT1 355M4	250	443	421	401	1490	0.90	95.3	95.5	6.9	2.1	2.2	7.164	1720
OMT1 355L4	280	495	470	448	1490	0.90	95.5	95.1	6.9	2.1	2.2	7.903	1850
OMT1 355LX4	315	556	528	503	1490	0.90	95.6	95.4	6.9	2.1	2.2	8.702	1950
OMT1 400M4	355	633	601	572	1490	0.89	95.8	95.7	7.0	1.4	2.0	14.70	2900
OMT1 400MX4	400	712	677	644	1490	0.89	95.9	95.6	7.0	1.2	2.0	15.20	3000
OMT1 400MY4	450	791	752	716	1490	0.90	96.0	95.6	7.0	1.3	2.0	16.10	3150
OMT1 400L4	500	879	835	796	1490	0.90	96.0	95.8	7.0	1.1	2.0	17.30	3300
OMT1 400LX4	560	1006	956	910	1490	0.88	96.1	95.6	7.0	1.6	2.0	18.60	3460

# TECHNICAL DATA OMT1

Motor Type	Rated Power	Current			Rated Speed	Power factor	Efficiency		Locked Current Rated Current	Locked Torque Rated Torque	Maximum Torque Rated Torque	Moment Of Inertia	Weight
		380V	400V	420V			100%	75%					
	P <sub>N</sub> kW	I <sub>U</sub> A	I <sub>N</sub> A	I <sub>O</sub> A	n <sub>N</sub> r/min	cosφ	η %		I <sub>S</sub> /I <sub>N</sub>	M <sub>S</sub> /M <sub>N</sub>	M <sub>M</sub> /M <sub>N</sub>	J= $\frac{1}{2}GD^2$ kgm <sup>2</sup>	kg

## OM: 6 Pole - 1000 r/min

OMT1 80K6	0.37	1.30	1.23	1.17	905	0.70	62.0	59.5	4.7	1.9	2.2	0.00152	17
OMT1 80G6	0.55	1.79	1.70	1.62	908	0.72	65.0	64.0	4.7	1.9	2.2	0.00194	19
OMT1 90S6	0.75	2.29	2.18	2.08	925	0.72	69.0	68.2	6.5	2.0	2.3	0.00297	23
OMT1 90L6	1.1	3.18	3.02	2.88	920	0.73	72.0	71.8	5.5	2.0	2.3	0.00392	25
OMT1 100L8	1.5	4.00	3.80	3.62	930	0.75	76.0	76.6	5.5	2.0	2.2	0.00745	33
OMT1 112M6	2.2	5.57	5.29	5.04	945	0.76	79.0	78.7	6.5	2.0	2.2	0.01324	39
OMT1 132S6	3.0	7.40	7.03	6.70	965	0.76	81.0	80.3	6.5	2.1	2.5	0.02621	56
OMT1 132M6	4.0	9.75	9.26	8.82	965	0.76	82.0	81.6	6.5	2.1	2.5	0.03716	71
OMT1 132MX6	5.5	12.9	12.3	11.7	965	0.77	84.0	83.5	6.5	2.1	2.5	0.04889	75
OMT1 160M6	7.5	17.2	16.3	15.6	970	0.77	86.0	86.1	6.5	2.0	2.3	0.0877	108
OMT1 160L8	11	24.5	23.3	22.2	970	0.78	87.5	87.8	6.4	2.0	2.3	0.1212	131
OMT1 160L6	15	31.6	30.0	28.6	975	0.81	89.0	89.2	7.0	2.0	2.3	0.2086	171
OMT1 200L6	18.5	38.6	36.6	34.9	980	0.81	90.0	90.1	7.0	2.1	2.4	0.302	216
OMT1 200LX8	22	44.7	42.5	40.5	980	0.83	90.0	90.2	7.0	2.1	2.4	0.342	225
OMT1 225M6	30	59.3	56.3	53.7	980	0.84	91.5	91.5	7.0	2.0	2.3	0.576	292
OMT1 250M6	37	71.1	67.5	64.3	980	0.86	92.0	91.7	7.0	2.1	2.5	0.807	408
OMT1 280S8	45	85.9	81.7	77.7	985	0.86	92.5	92.6	7.0	2.1	2.5	1.474	465
OMT1 280M6	55	105	99.5	94.7	985	0.86	92.8	92.6	7.0	2.1	2.5	1.732	540
OMT1 315S6	75	142	135	128	985	0.86	93.5	93.0	7.0	2.0	2.2	3.194	661
OMT1 315M8	90	170	161	153	985	0.86	93.8	93.5	7.0	2.0	2.2	3.723	940
OMT1 315L6	110	207	196	187	985	0.86	94.0	93.8	6.7	2.0	2.2	4.526	1110
OMT1 315LX8	132	245	233	221	985	0.87	94.2	94.2	6.7	2.0	2.2	5.157	1175
OMT1 355M6	160	292	278	265	990	0.88	94.5	94.3	6.7	1.9	2.0	9.27	1690
OMT1 355MX6	180	329	312	297	990	0.88	94.6	94.3	6.7	1.9	2.0	9.52	1770
OMT1 355MY6	200	365	346	330	990	0.89	94.7	94.5	6.7	1.9	2.0	10.8	1870
OMT1 355L8	225	410	389	371	990	0.88	94.8	94.7	6.7	1.9	2.0	11.1	1900
OMT1 355LX6	250	455	432	412	990	0.88	94.9	95.0	6.7	1.9	2.0	11.8	1980
OMT1 355LY6	280	509	483	460	990	0.89	95.0	94.6	6.7	1.9	2.0	12.9	2150
OMT1 400M6	315	578	549	523	990	0.87	95.2	95.1	7.0	1.2	2.0	21.2	3410
OMT1 400MX6	355	650	617	588	995	0.87	95.4	95.1	7.0	1.0	2.0	23.5	36500
OMT1 400L6	400	722	686	654	995	0.88	95.0	95.0	7.0	1.3	2.0	26.4	3700
OMT1 400LX6	450	811	770	734	995	0.88	95.8	95.4	7.0	0.9	2.0	28.8	3820
OMT1 400LY6	500	900	855	815	995	0.88	95.9	95.4	7.0	1.5	2.0	31.4	3970

## OM: 8 Pole - 750 r/min

OMT1 80K8	0.18	0.88	0.84	0.80	693	0.61	61.0	0.49	3.3	1.8	1.9	0.00173	19
OMT1 80G8	0.25	1.15	1.10	1.04	689	0.61	54.0	51.9	3.3	1.8	1.9	0.00204	20
OMT1 90S8	0.37	1.49	1.41	1.34	691	0.61	62.0	59.0	4.0	1.9	1.9	0.00343	24
OMT1 90L8	0.55	2.17	2.07	1.97	703	0.61	63.0	60.1	4.0	1.8	2.0	0.00425	25
OMT1 100L8	0.75	2.40	2.28	2.17	695	0.67	71.0	68.9	4.0	1.8	2.0	0.00598	33
OMT1 100LX8	1.1	3.32	3.15	3.00	696	0.69	73.0	72.5	5.0	1.8	2.0	0.00745	34
OMT1 112M8	1.5	4.40	4.18	3.98	700	0.69	75.0	73.9	5.0	1.8	2.0	0.01328	39
OMT1 132S8	2.2	6.04	5.73	5.46	715	0.71	78.0	76.9	6.0	1.8	2.0	0.02903	62
OMT1 132M8	3.0	7.90	7.51	7.15	713	0.73	79.0	73.2	6.0	1.9	2.0	0.03828	66
OMT1 160M8	4.0	10.3	9.79	9.32	718	0.73	81.0	79.1	6.0	2.0	2.2	0.0650	84
OMT1 160MX8	5.5	13.6	12.9	12.3.9	722	0.74	83.0	82.2	6.0	2.0	2.2	0.0860	106
OMT1 160L8	7.5	17.8	16.9	16.1	721	0.75	85.5	83.3	6.0	2.0	2.2	0.1229	128
OMT1 180L8	11.0	25.2	24.0	22.8	725	0.76	87.5	85.0	6.6	2.0	2.2	0.2058	170
OMT1 200L8	15.0	34.1	32.4	30.8	735	0.76	88.0	87.8	6.6	2.0	2.2	0.3250	230
OMT1 225S8	18.5	41.1	39.0	37.2	730	0.76	90.0	89.5	6.6	1.9	2.0	0.538	272
OMT1 225M8	22.0	47.4	45.0	42.8	730	0.78	90.5	88.9	6.6	1.9	2.0	0.629	294
OMT1 250M8	30.0	63.4	60.2	57.4	735	0.79	91.0	89.0	6.6	1.9	2.0	0.809	370
OMT1 280S8	37.0	77.8	73.9	70.4	735	0.79	91.5	91.3	6.6	1.9	2.2	1.547	475
OMT1 280M8	45.0	94.1	89.4	85.1	738	0.79	92.0	91.8	6.6	1.9	2.2	1.857	555
OMT1 315S8	55.0	111	106	101	740	0.81	92.8	92.2	6.6	1.8	2.0	3.682	905
OMT1 315M8	75.0	151	144	137	740	0.81	93.0	92.1	6.6	1.9	2.0	4.959	981
OMT1 315L8	90.0	178	169	161	740	0.82	93.8	91.8	6.6	1.8	2.0	5.825	1071
OMT1 315LX8	110	217	206	196	740	0.82	94.0	92.9	6.4	1.8	2.0	6.753	1160
OMT1 355M8	132	261	248	236	745	0.82	93.7	93.3	6.4	1.8	2.0	12.94	1800
OMT1 355MX8	160	315	299	285	745	0.82	94.2	93.5	6.4	1.8	2.0	14.30	1890
OMT1 355L8	180	349	332	316	745	0.83	94.3	93.8	6.4	1.8	2.0	15.00	1970
OMT1 355LX8	200	387	368	351	745	0.83	94.5	93.6	6.4	1.8	2.0	15.90	2040
OMT1 400M8	250	487	462	440	745	0.82	95.2	94.6	6.5	1.2	2.0	27.40	2900
OMT1 400MX8	280	545	518	493	745	0.82	95.2	94.1	6.5	1.2	2.0	28.9	3000
OMT1 400L8	315	590	561	534	745	0.85	95.4	94.7	6.5	1.1	2.0	30.6	3100
OMT1 400LX8	355	683	630	600	745	0.85	95.7	95.5	6.5	1.0	2.0	32.4	3250
OMT1 400LY8	400	750	713	679	745	0.85	95.3	94.8	6.5	0.9	2.0	34.2	3400

# EFFICIENCY OMT1

OM: 2Pole

Motor Type	Rated Power	Full-load efficiency			
		125%	100%	75%	55%
	$P_N$ kW	$\eta$ %	$\eta$ %	$\eta$ %	$\eta$ %
OMT1 80K2	0.75	75.0	75.0	74.1	67.7
OMT1 80G2	1.1	75.6	76.2	75.3	65.3
OMT1 90S2	1.5	77.6	78.5	78.1	67.2
OMT1 90L2	2.2	78.9	81.0	81.3	79.6
OMT1 100L2	3.0	81.0	82.6	82.5	80.3
OMT1 112M2	4.0	81.8	84.2	85.5	84.5
OMT1 132S2	5.5	85.3	85.7	85.3	83.0
OMT1 132SX2	7.5	85.6	87.0	87.3	86.5
OMT1 160M2	11.0	88.0	88.4	88.5	86.3
OMT1 160MX2	15.0	88.5	89.4	88.6	86.2
OMT1 160L2	18.5	89.5	90.0	90.1	88.9
OMT1 180M2	22.0	90.2	90.5	90.0	88.1
OMT1 200L2	30.0	90.6	91.4	90.6	88.5
OMT1 200LX2	37.0	91.6	92.0	91.9	90.7
OMT1 225M2	45.0	92.0	92.5	92.0	90.2
OMT1 250M2	55.0	92.8	93.0	92.4	90.8
OMT1 280S2	75.0	93.1	93.6	93.4	92.1
OMT1 280M2	90.0	93.5	93.9	93.7	92.9
OMT1 315S2	110	93.9	94.0	93.6	92.8
OMT1 315M2	132	94.2	94.5	93.8	92.2
OMT1 315L2	160	94.9	94.6	94.2	93.0
OMT1 315LX2	200	94.6	94.8	94.6	93.6
OMT1 355M2	250	95.3	95.3	94.5	92.7
OMT1 355L2	280	95.1	95.5	95.2	94.2
OMT1 355LX2	315	95.5	95.6	95.3	94.3
OMT1 400M2	355	94.9	95.7	95.5	94.9
OMT1 400MX2	400	95.8	96.0	95.4	94.6
OMT1 400MY2	450	95.8	96.1	95.8	94.8
OMT1 400L2	500	96.0	96.2	95.9	94.9
-	-	-	-	-	-
-	-	-	-	-	-
-	-	-	-	-	-

OM: 6 Pole

Motor Type	Rated Power	Full-load efficiency			
		125%	100%	75%	55%
	$P_N$ kW	$\eta$ %	$\eta$ %	$\eta$ %	$\eta$ %
OMT1 80K6	0.37	58.1	62.0	59.5	55.0
OMT1 80G6	0.55	65.2	65.0	64.0	62.0
OMT1 90S6	0.75	67.2	69.0	68.2	62.2
OMT1 90L6	1.1	69.8	72.0	71.8	68.8
OMT1 100L6	1.5	76.3	76.0	76.6	71.8
OMT1 112M6	2.2	77.1	79.0	78.7	77.2
OMT1 132S6	3.0	80.6	81.0	80.3	76.5
OMT1 132M6	4.0	81.2	82.0	81.6	78.6
OMT1 132MX6	5.5	83.1	84.0	83.5	83.3
OMT1 160M6	7.5	84.9	86.0	86.1	85.0
OMT1 160L6	11	86.1	87.5	87.8	86.2
OMT1 180L6	15	88.2	89.0	89.2	87.3
OMT1 200L6	18.5	89.2	90.0	90.1	88.7
OMT1 200LX6	22	88.8	90.0	90.2	89.1
OMT1 225M6	30	90.7	91.5	91.5	90.2
OMT1 250M6	37	91.3	92.0	91.7	90.6
OMT1 280S6	45	91.8	92.5	92.6	91.6
OMT1 280M6	55	92.0	92.8	92.8	91.9
OMT1 315S6	75	93.2	93.5	93.0	91.3
OMT1 315M6	90	93.4	93.8	93.5	92.3
OMT1 315L6	110	93.7	94.0	93.8	92.8
OMT1 315LX6	132	93.8	94.2	94.2	93.9
OMT1 355M6	160	94.0	94.5	94.3	93.2
OMT1 355MX6	180	94.4	94.6	94.3	93.3
OMT1 355MY6	200	94.5	94.7	94.5	93.8
OMT1 355L6	225	94.5	94.8	94.7	94.1
OMT1 355LX6	250	94.6	94.9	95.0	94.1
OMT1 355LY6	280	94.8	95.0	94.6	93.6
OMT1 400M6	315	94.9	95.2	95.1	94.3
OMT1 400MX6	355	95.2	95.4	95.1	94.0
OMT1 400L6	400	95.4	95.6	95.3	94.4
OMT1 400LX6	450	95.6	95.8	95.4	93.8
OMT1 400LY6	500	95.5	95.9	95.4	94.2
OMT1 400LZ6	560	96.1	96.2	95.8	93.9

OM: 4 Pole

Motor Type	Rated Power	Full-load efficiency			
		125%	100%	75%	55%
	$P_N$ kW	$\eta$ %	$\eta$ %	$\eta$ %	$\eta$ %
OMT1 80K4	0.55	69.7	71.0	69.4	67.0
OMT1 80G4	0.75	71.8	73.0	71.7	66.4
OMT1 90S4	1.1	72.5	76.2	76.5	74.0
OMT1 90L4	1.5	77.3	78.5	78.4	77.3
OMT1 100L4	2.2	78.7	81.0	79.5	76.5
OMT1 100LX4	3.0	80.7	82.6	81.9	78.4
OMT1 112M4	4.0	82.1	84.2	84.4	83.3
OMT1 132S4	5.5	83.6	85.7	85.5	83.8
OMT1 132M4	7.5	85.1	87.0	87.3	86.3
OMT1 160M4	11.0	87.2	88.4	88.8	87.7
OMT1 160L4	15.0	88.1	89.4	89.9	89.2
OMT1 180M4	18.5	88.7	90.0	90.1	88.9
OMT1 180L4	22.0	89.5	90.5	90.8	89.8
OMT1 200L4	30.0	90.6	91.4	91.7	90.8
OMT1 225S4	37.0	91.4	92.0	91.9	90.6
OMT1 225M4	45.0	91.9	92.5	92.5	91.4
OMT1 250M4	55.0	92.3	93.0	92.9	91.8
OMT1 280S4	75.0	93.0	93.6	93.6	92.5
OMT1 280M4	90.0	93.5	93.9	93.5	92.3
OMT1 315S4	110	94.2	94.5	94.3	93.1
OMT1 315M4	132	94.5	94.8	94.7	93.6
OMT1 315L4	160	94.5	94.9	94.6	93.5
OMT1 315LX4	200	94.6	95.0	94.9	94.1
OMT1 355M4	250	94.9	95.3	95.5	94.8
OMT1 355L4	280	95.2	95.5	95.1	94.4
OMT1 355LX4	315	95.4	95.6	95.4	94.3
OMT1 400M4	355	95.6	95.8	95.7	94.9
OMT1 400MX4	400	95.7	95.9	95.6	94.2
OMT1 400MY4	450	95.8	96.0	95.6	94.3
OMT1 400L4	500	95.7	96.0	95.8	94.7
OMT1 400LX4	560	95.8	96.1	95.6	94.5
OMT1 400LY4	630	95.7	95.9	95.6	94.5

OM: 8 Pole

Motor Type	Rated Power	Full-load efficiency			
		125%	100%	75%	55%
	$P_N$ kW	$\eta$ %	$\eta$ %	$\eta$ %	$\eta$ %
OMT1 80K8	0.18	50.2	51.0	0.49	41.2
OMT1 80G8	0.25	53.2	54.0	51.9	42.5
OMT1 90S8	0.37	61.5	62.0	59.0	51.1
OMT1 90L8	0.55	62.4	63.0	60.1	53.2
OMT1 100L8	0.75	70.5	71.0	68.9	62.4
OMT1 100LX8	1.1	72.2	73.0	72.5	67.5
OMT1 112M8	1.5	74.5	75.0	73.9	68.3
OMT1 132S8	2.2	76.6	78.0	76.9	73.4
OMT1 132M8	3.0	77.1	79.0	73.2	71.1
OMT1 160M8	4.0	89.2	81.0	79.1	78.9
OMT1 160MX8	5.5	81.6	83.0	82.2	80.2
OMT1 180L8	7.5	84.0	85.5	83.3	82.1
OMT1 180L8	11.0	86.6	87.5	85.0	83.8
OMT1 200L8	15.0	87.3	88.0	87.8	86.2
OMT1 225S8	18.5	89.2	90.0	89.5	88.2
OMT1 225M8	22.0	89.7	90.5	89.9	87.8
OMT1 250M8	30.0	90.1	91.0	89.0	87.7
OMT1 280S8	37.0	90.8	91.5	91.3	89.8
OMT1 280M8	45.0	91.2	92.0	91.8	90.7
OMT1 315S8	55.0	92.3	92.8	92.2	90.5
OMT1 315M8	75.0	92.6	93.0	92.1	90.5
OMT1 315L8	90.0	93.5	93.8	91.8	91.3
OMT1 315X8	110	93.7	94.0	92.9	91.6
OMT1 355M8	132	93.4	93.7	93.3	92.1
OMT1 355MX8	160	94.0	94.2	93.5	92.1
OMT1 355L8	180	94.1	94.3	93.8	92.1
OMT1 355LX8	200	94.1	94.5	93.6	92.4
OMT1 400M8	250	94.9	95.2	94.6	92.9
OMT1 400MX8	280	95.1	95.2	94.1	92.4
OMT1 400L8	315	95.2	95.4	94.7	93.1
OMT1 400LX8	355	95.4	95.7	95.5	94.3
OMT1 400LY8	400	95.0	95.3	94.8	93.7



# OMT2

Series (aluminum)  
Three Phase  
Asynchronous  
Motors

OMT2 total enclosed casting aluminum structure normal efficiency motor complies with Eff2 standard, the protection class is IP55, the insulation class is F and power range from 0.06kw to 18.5kw, frame size from 56 to 160. Motor complies with IEC60034, 60072 and DIN42673 standard.



# TECHNICAL DATA OMT2

Motor Type	Rated Power	Current			Rated Speed	Power factor	Efficiency		Locked Current Rated Current	Locked Torque Rated Torque	Maximum Torque Rated Torque	Moment Of Inertia $J = \frac{1}{2}GD^2$ kgm	Weight kg
		380V	400V	420V			100%	75%					
	P <sub>N</sub> kW	I <sub>U</sub> A	I <sub>N</sub> A	I <sub>O</sub> A	n <sub>N</sub> r/min	cosφ	η %		I <sub>s</sub> /I <sub>N</sub>	M <sub>s</sub> /M <sub>N</sub>	M <sub>M</sub> /M <sub>N</sub>		

## OMT2: 2 Pole –3000 r/min

OMT2 56K2	0.09	0.28	0.26	0.25	2700	0.78	63.0	62.1	5.0	2.2	2.2	0.000053	3.9
OMT2 56G2	0.12	0.38	0.34	0.32	2700	0.79	65.0	64.2	5.0	2.2	2.2	0.000057	3.5
OMT2 63K2	0.18	0.53	0.50	0.48	2720	0.80	65.0	65.2	5.0	2.2	2.2	0.000100	3.9
OMT2 63G2	0.25	0.69	0.66	0.63	2720	0.81	68.0	68.1	5.0	2.2	2.2	0.000113	4.6
OMT2 71K2	0.37	0.99	0.94	0.90	2740	0.81	70.0	69.1	6.1	2.2	2.2	0.000348	6.3
OMT2 71G2	0.55	1.40	1.33	1.27	2740	0.82	73.0	72.5	6.1	2.2	2.3	0.000400	6.4
OMT2 80K2	0.75	1.83	1.81	1.66	2845	0.83	75.0	74.1	7.0	2.2	2.3	0.000916	8.8
OMT2 80G2	1.1	2.62	2.49	2.37	2865	0.84	76.2	75.3	7.0	2.2	2.3	0.000990	9.2
OMT2 90S2	1.6	3.46	3.28	3.13	2875	0.84	78.5	78.1	7.0	2.2	2.3	0.002462	13.1
OMT2 90L2	2.2	4.85	4.61	4.39	2865	0.85	81.0	81.3	7.0	2.2	2.3	0.002815	14.7
OMT2 100L2	3.0	6.34	6.03	5.74	2880	0.87	82.6	82.5	7.5	2.2	2.3	0.002930	21.5
OMT2 112M2	4.0	8.20	7.79	7.42	2880	0.88	84.2	85.5	7.5	2.2	2.3	0.003021	27.0
OMT2 132S2	5.5	11.0	10.5	10.1	2925	0.88	85.7	85.3	7.5	2.2	2.3	0.006496	42.0
OMT2 132SX2	7.5	14.9	14.1	13.5	2930	0.88	87.0	87.3	7.5	2.2	2.3	0.007738	46.2
OMT2 160M2	11.0	21.3	20.2	19.3	2936	0.89	88.4	88.5	7.5	2.2	2.3	0.013800	72.0
OMT2 160MX2	15.0	28.7	27.2	25.9	2935	0.89	89.4	88.6	7.5	2.2	2.3	0.018560	79.0
OMT2 180L2	18.5	34.7	33.0	31.4	2935	0.90	90.0	90.1	7.5	2.2	2.3	0.027000	87.0

## OMT2: 4 Pole –1500 r/min

OMT2 56K4	0.06	0.28	0.27	0.25	1300	0.63	51.5	49.8	5.2	2.3	2.2	0.000064	3.3
OMT2 56G4	0.09	0.39	0.37	0.33	1300	0.66	53.5	53.2	5.2	2.3	2.2	0.000070	3.5
OMT2 63K4	0.12	0.44	0.42	0.40	1310	0.72	57.0	54.5	5.2	2.3	2.2	0.000117	3.7
OMT2 63G4	0.18	0.62	0.59	0.56	1310	0.73	60.0	58.1	5.2	2.3	2.2	0.000136	4.2
OMT2 71K4	0.25	0.79	0.75	0.71	1330	0.74	65.0	63.2	5.2	2.3	2.2	0.000423	6.3
OMT2 71G4	0.37	1.12	1.06	1.00	1330	0.75	67.0	65.4	5.2	2.3	2.2	0.000468	7.0
OMT2 80K4	0.55	1.57	1.49	1.42	1415	0.75	71.0	69.4	6.0	2.3	2.3	0.001146	9.2
OMT2 80G4	0.75	2.05	1.95	1.86	1410	0.76	73.0	71.7	6.0	2.3	2.3	0.001263	10.2
OMT2 90S4	1.1	2.85	2.71	2.58	1420	0.77	76.2	76.5	6.0	2.3	2.3	0.002781	13.1
OMT2 90L4	1.5	3.68	3.49	3.33	1420	0.79	78.5	78.4	6.0	2.3	2.3	0.002700	15.5
OMT2 100L4	2.2	5.95	4.84	4.61	1440	0.81	81.0	79.5	7.0	2.3	2.3	0.003283	20.4
OMT2 100LX4	3.0	6.73	6.39	6.09	1445	0.82	82.6	81.9	7.0	2.3	2.3	0.006700	24.1
OMT2 112M4	4.0	8.80	8.36	7.96	1460	0.82	84.2	84.4	7.0	2.3	2.3	0.008600	30.0
OMT2 132S4	5.5	11.5	11.2	10.6	1450	0.83	85.7	85.5	7.0	2.3	2.3	0.020500	44.2
OMT2 132M4	7.5	15.6	14.8	14.1	1455	0.84	87.0	87.3	7.0	2.3	2.3	0.029600	55.3
OMT2 160M4	11.0	22.5	21.4	20.4	1465	0.84	88.4	88.8	7.0	2.2	2.3	0.072400	80.0
OMT2 160L4	15.0	30.0	28.5	27.2	1470	0.85	89.4	89.9	7.5	2.2	2.3	0.092900	87.0

## OMT2: 6 Pole –1000 r/min

OMT2 70K6	0.18	0.74	0.70	0.67	850	0.66	56.0	55.2	4.0	1.9	2.0	0.000423	6.4
OMT2 70G6	0.25	0.95	0.90	0.84	850	0.68	59.0	57.6	4.0	1.9	2.0	0.000468	6.6
OMT2 80K6	0.37	1.30	1.23	1.17	905	0.70	62.0	57.55.0	4.7	1.9	2.2	0.001294	9.0
OMT2 80G6	0.55	1.79	1.70	1.62	908	0.72	65.0	64.0	4.7	1.9	2.2	0.001391	9.6
OMT2 90S6	0.75	2.29	2.18	2.08	925	0.72	69.0	68.2	5.5	2.0	2.3	0.003210	12.6
OMT2 90L6	1.1	3.18	3.02	2.88	920	0.73	72.0	71.6	5.5	2.0	2.3	0.003794	14.7
OMT2 100L6	1.5	4.00	3.80	3.62	930	0.75	76.0	76.6	5.5	2.0	2.2	0.004605	20.5
OMT2 112M6	2.2	5.57	5.29	5.04	945	0.76	79.0	78.7	6.5	2.0	2.2	0.006949	29.0
OMT2 132S6	3.0	7.40	7.03	6.70	965	0.76	81.0	80.3	6.5	2.1	2.5	0.012912	39.5
OMT2 132M6	4.0	9.75	9.26	8.82	965	0.76	82.0	81.6	6.5	2.1	2.5	0.016082	47.2
OMT2 132MX6	5.5	12.9	12.3	11.7	965	0.77	84.0	83.5	6.5	2.1	2.5	0.019174	56.8
OMT2 160M6	7.5	17.2	16.3	15.6	970	0.77	86.0	86.1	6.5	2.0	2.3	0.1212	75.0
OMT2 160L6	11	24.5	23.3	22.2	970	0.78	87.5	87.8	6.4	2.0	2.3	0.1452	78.2

## OMT2: 8 Pole –750 r/min

OMT2 80K8	0.18	0.88	0.84	0.80	693	0.61	51.0	0.49	3.3	1.8	1.9	0.001146	8.5
OMT2 80G8	0.25	1.15	1.10	1.04	699	0.61	54.0	51.9	3.3	1.8	1.9	0.001263	9.4
OMT2 90S8	0.37	1.49	1.41	1.34	691	0.61	62.0	59.0	4.0	1.8	1.9	0.003160	12.5
OMT2 90L8	0.55	2.17	2.07	1.97	703	0.61	63.0	60.1	4.0	1.8	2.0	0.003794	15.7
OMT2 100L8	0.75	2.40	2.26	2.17	695	0.67	71.0	68.9	4.0	1.8	2.0	0.004311	19.6
OMT2 100LX8	1.1	3.32	3.15	3.00	696	0.69	73.0	72.5	5.0	1.8	2.0	0.005095	22.9
OMT2 112M8	1.5	4.40	4.18	3.98	700	0.69	75.0	73.9	5.0	1.8	2.0	0.006949	30.2
OMT2 132S8	2.2	6.04	5.73	5.46	715	0.71	78.0	76.9	6.0	1.8	2.0	0.012912	42.0
OMT2 132M8	3.0	7.90	7.51	7.15	713	0.73	79.0	73.2	6.0	1.8	2.0	0.018082	47.0
OMT2 160M8	4.0	10.3	9.79	9.32	718	0.73	81.0	79.1	6.0	2.1	2.2	0.031230	70.1
OMT2 160MX8	5.5	13.6	12.9	12.3.9	722	0.74	83.0	82.2	6.0	2.1	2.2	0.034567	75.2
OMT2 160L8	7.5	17.8	16.9	16.1	721	0.75	85.5	83.3	6.0	2.0	2.2	0.038910	81.5

# OMT1-IE2

Series Three Phase  
Asynchronous  
Motors

OMT1-IE2 total enclosed cast iron structure motor complies with IE2 standard, the protection class is IP55, the insulation class is F and power range from 0.37kw to 315kw, frame size from 80 to 355. Motor complies with IEC60034, 60072 and DIN42673 standard.



# TECHNICAL DATA OMT1-IE2

IE2

Motor Type	Rated Power	Current 400 V	Rated Speed	Power Factor	Efficiency	Locked Current / Rated Current	Locked Torque / Rated Torque	Maximum Torque / Rated Torque	Moment Of Inertia	Weight
	$P_N$ kW	$I_N$ A	$n_N$ r/min	$\cos\phi$	$\eta$ %	$I_s/I_N$	$M_s/M_N$	$M_M/M_N$	$J = \frac{1}{4}GD^2$ kgm <sup>2</sup>	kg

## OMT1-IE2: 2 Pole –3000 r/min

OMT1 80K2	0.75	1.71	2845	0.82	77.4	7.0	2.2	2.3	0.00110	17.0
OMT1 80G2	1.1	2.40	2865	0.83	79.6	7.4	2.2	2.3	0.00130	18.0
OMT1 90S2	1.5	3.17	2875	0.84	81.3	7.0	2.2	2.3	0.00185	23.0
OMT1 90L2	2.2	4.49	2865	0.85	83.2	7.0	2.2	2.3	0.00215	26.0
OMT1 100L2	3.0	5.88	2860	0.87	84.6	7.5	2.2	2.5	0.00425	34.0
OMT1 112M2	4.0	7.65	2880	0.88	85.8	7.5	2.2	2.5	0.00650	41.0
OMT1 132S2	5.5	10.4	2925	0.88	87.0	7.5	2.2	2.5	0.01456	60.0
OMT1 132SX2	7.5	14.0	2930	0.88	88.1	7.5	2.2	2.5	0.01565	63.0
OMT1 160M2	11.0	20.0	2935	0.89	89.4	7.5	2.2	2.5	0.0549	109
OMT1 160MX2	15.0	26.9	2935	0.89	90.3	7.5	2.2	2.5	0.0635	119
OMT1 180L2	18.5	32.6	2935	0.90	90.9	7.5	2.2	2.5	0.0725	136
OMT1 180M2	22.0	38.6	2950	0.90	91.3	7.5	2.2	2.2	0.1025	172
OMT1 200L2	30.0	52.3	2950	0.90	92.0	7.5	2.0	2.3	0.173	223
OMT1 200LX2	37.0	64.2	2950	0.90	92.5	7.5	2.0	2.3	0.195	242
OMT1 225M2	45.0	77.7	2960	0.90	92.9	7.5	2.0	2.3	0.325	302
OMT1 250M2	55.0	94.6	2970	0.90	93.2	7.5	2.0	2.3	0.395	382
OMT1 280S2	75.0	128	2970	0.90	93.8	7.5	2.0	2.3	0.683	515
OMT1 280M2	90.0	153	2975	0.90	94.1	7.5	2.0	2.3	0.765	545
OMT1 315S2	110	185	2975	0.91	94.3	7.1	1.8	2.2	1.558	930
OMT1 315M2	132	221	2975	0.91	94.6	7.1	1.8	2.2	1.726	980
OMT1 315L2	160	268	2980	0.91	94.8	7.1	1.8	2.2	1.941	1090
OMT1 315LX2	200	334	2980	0.91	95.0	7.1	1.8	2.2	2.212	1190
OMT1 355M2	250	422	2985	0.90	95.0	7.1	1.6	2.2	3.849	1710
OMT1 355LX2	315	526	2985	0.91	95.0	7.1	1.6	2.2	3.995	1920

## OMT1-IE2: 4 Pole –1500 r/min

OMT1 80G4	0.75	1.79	1410	0.76	79.6	6.5	2.3	2.3	0.00165	19.0
OMT1 90S4	1.1	2.53	1420	0.77	81.4	7.1	3.1	3.4	0.0021	23.0
OMT1 90L4	1.5	3.31	1420	0.79	82.8	7.1	3.2	3.4	0.0027	29.0
OMT1 100L4	2.2	4.63	1440	0.81	84.3	7.8	3.0	3.5	0.0054	35.0
OMT1 100LX4	3.0	6.18	1445	0.82	85.5	7.5	2.8	3.4	0.0067	39.0
OMT1 112M4	4.0	8.13	1460	0.82	86.6	7.2	2.5	3.5	0.0086	45.0
OMT1 132S4	5.5	10.9	1450	0.83	87.7	7.1	2.4	3.3	0.0205	62.0
OMT1 132M4	7.5	14.5	1455	0.84	88.7	7.6	2.5	3.8	0.0296	74.0
OMT1 160M4	11.0	21.0	1465	0.84	89.8	6.9	2.1	2.8	0.0724	115
OMT1 160L4	15.0	28.1	1470	0.85	90.6	7.5	2.3	3.1	0.0929	135
OMT1 180M4	18.5	34.0	1470	0.86	91.2	7.4	2.2	3.5	0.1350	170
OMT1 180L4	22.0	40.5	1465	0.86	91.6	7.1	2.1	3.3	0.1360	184
OMT1 200L4	30.0	54.6	1470	0.86	92.3	6.5	1.9	2.8	0.2450	235
OMT1 225S4	37.0	66.2	1475	0.87	92.7	6.4	1.7	2.9	0.3900	290
OMT1 225M4	45.0	80.2	1475	0.87	93.1	6.6	2.0	3.0	0.4500	326
OMT1 250M4	55.0	97.6	1480	0.87	93.5	7.6	2.2	3.3	0.6400	385
OMT1 280S4	75.0	132	1485	0.87	94.0	7.0	2.1	3.4	1.045	515
OMT1 280M4	90.0	159	1485	0.87	94.2	7.1	2.1	3.4	1.396	605
OMT1 315S4	110	191	1485	0.88	94.5	6.9	2.1	2.2	3.480	931
OMT1 315M4	132	229	1485	0.88	94.7	6.9	2.1	2.2	3.678	1017
OMT1 315L4	160	277	1485	0.88	94.7	6.9	2.1	2.2	4.472	1085
OMT1 315LX4	200	345	1485	0.88	95.1	6.9	2.1	2.2	4.856	1200
OMT1 355M4	250	417	1490	0.91	95.1	7.1	2.1	2.2	7.364	1740
OMT1 355LX4	315	537	1490	0.89	95.1	6.9	2.1	2.2	9.100	1975

# TECHNICAL DATA OMT1-IE2

IE2

Motor Type	Rated Power	Current 400 V	Rated Speed	Power Factor	Efficiency	Locked Current / Rated Current	Locked Torque / Rated Torque	Maximum Torque / Rated Torque	Moment Of Inertia	Weight
	$P_N$ kW	$I_N$ A	$n_N$ r/min	$\cos\phi$	$\eta$ %	$I_s/I_N$	$M_s/M_N$	$M_M/M_N$	$J=\frac{1}{2}GD^2$ kg m <sup>2</sup>	kg

## OMT1-IE2: 6 Pole –1000 r/min

OMT1 90S6	0.75	1.98	925	0.72	75.9	5.5	2.0	2.3	0.00321	24
OMT1 90L6	1.1	2.78	920	0.73	78.1	5.5	2.0	2.3	0.00412	26
OMT1 100L6	1.5	3.62	930	0.75	79.8	5.5	2.0	2.2	0.00845	34
OMT1 112M6	2.2	5.11	945	0.76	81.8	6.5	2.0	2.2	0.01326	40
OMT1 132S6	3.0	6.84	965	0.76	83.3	6.5	2.1	2.5	0.03716	57
OMT1 132M6	4.0	8.98	985	0.76	84.8	6.5	2.1	2.5	0.04889	73
OMT1 132MX6	5.5	12.0	965	0.77	86.0	6.5	2.1	2.5	0.05845	77
OMT1 160M6	7.5	16.1	970	0.77	87.2	6.5	2.0	2.3	0.1212	110
OMT1 160L6	11	22.9	970	0.78	88.7	6.4	2.0	2.3	0.1452	133
OMT1 180L6	15	29.8	975	0.81	89.7	7.0	2.0	2.3	0.2285	174
OMT1 200L6	18.5	36.5	980	0.81	90.4	7.0	2.1	2.4	0.3420	219
OMT1 200LX6	22	42.1	980	0.83	90.9	7.0	2.1	2.4	0.3860	228
OMT1 225M6	30	56.2	980	0.84	91.7	7.0	2.0	2.3	0.625	296
OMT1 250M6	37	67.4	980	0.86	92.2	7.0	2.1	2.5	0.985	380
OMT1 280S6	45	81.5	985	0.86	92.7	7.0	2.1	2.5	1.732	470
OMT1 280M6	55	99.2	985	0.86	93.1	7.0	2.1	2.5	1.965	545
OMT1 315S6	75	136	985	0.85	93.7	7.0	2.0	2.2	3.723	866
OMT1 315M6	90	163	985	0.85	94.0	7.0	2.0	2.2	4.526	948
OMT1 315L6	110	196	985	0.86	94.3	6.7	2.0	2.2	5.157	1120
OMT1 315LX6	132	234	985	0.86	94.6	6.7	2.0	2.2	5.685	1185
OMT1 355M6	160	277	990	0.88	94.8	6.7	1.9	2.0	9.57	1705
OMT1 355MY6	200	345	990	0.88	95.0	6.7	1.9	2.0	11.1	1890
OMT1 355LX6	250	432	990	0.88	95.0	6.7	1.9	2.0	11.8	2000

## OMT1-IE2: 8 Pole –750 r/min

OMT1 90S6	0.75	1.98	925	0.72	75.9	5.5	2.0	2.3	0.00321	24
OMT1 90L6	1.1	2.78	920	0.73	78.1	5.5	2.0	2.3	0.00412	26
OMT1 100L6	1.5	3.62	930	0.75	79.8	5.5	2.0	2.2	0.00845	34
OMT1 112M6	2.2	5.11	945	0.76	81.8	6.5	2.0	2.2	0.01326	40
OMT1 132S6	3.0	6.84	965	0.76	83.3	6.5	2.1	2.5	0.03716	57
OMT1 132M6	4.0	8.98	985	0.76	84.8	6.5	2.1	2.5	0.04889	73
OMT1 132MX6	5.5	12.0	965	0.77	86.0	6.5	2.1	2.5	0.05845	77
OMT1 160M6	7.5	16.1	970	0.77	87.2	6.5	2.0	2.3	0.1212	110
OMT1 160L6	11	22.9	970	0.78	88.7	6.4	2.0	2.3	0.1452	133
OMT1 180L6	15	29.8	975	0.81	89.7	7.0	2.0	2.3	0.2285	174
OMT1 200L6	18.5	36.5	980	0.81	90.4	7.0	2.1	2.4	0.3420	219
OMT1 200LX6	22	42.1	980	0.83	90.9	7.0	2.1	2.4	0.3860	228
OMT1 225M6	30	56.2	980	0.84	91.7	7.0	2.0	2.3	0.625	296
OMT1 250M6	37	67.4	980	0.86	92.2	7.0	2.1	2.5	0.985	380
OMT1 280S6	45	81.5	985	0.86	92.7	7.0	2.1	2.5	1.732	470
OMT1 280M6	55	99.2	985	0.86	93.1	7.0	2.1	2.5	1.965	545
OMT1 315S6	75	136	985	0.85	93.7	7.0	2.0	2.2	3.723	866
OMT1 315M6	90	163	985	0.85	94.0	7.0	2.0	2.2	4.526	948
OMT1 315L6	110	196	985	0.86	94.3	6.7	2.0	2.2	5.157	1120
OMT1 315LX6	132	234	985	0.86	94.6	6.7	2.0	2.2	5.685	1185
OMT1 355M6	160	277	990	0.88	94.8	6.7	1.9	2.0	9.57	1705
OMT1 355MY6	200	345	990	0.88	95.0	6.7	1.9	2.0	11.1	1890
OMT1 355LX6	250	432	990	0.88	95.0	6.7	1.9	2.0	11.8	2000

# OMT2-IE2

Series (aluminum)  
Three Phase  
Asynchronous  
Motors

OMT2 total enclosed die-casting aluminum structure motor complies with IE2 standard, the protection class is IP55, the insulation class is F and power range from 0.75kw to 18.5kw, frame size from 80 to 160. Motor complies with IEC60034, 60072 and DIN42673 standard.



# TECHNICAL DATA OMT2-IE2

IE2

Motor Type	Rated Power	Current 400 V	Rated Speed	Power Factor	Efficiency	Locked Current / Rated Current	Locked Torque / Rated Torque	Maximum Torque / Rated Torque	Moment Of Inertia	Weight
	$P_N$ kW	$I_N$ A	$n_N$ r/min	$\cos\phi$	$\eta$ %	$I_S/I_N$	$M_S/M_N$	$M_M/M_N$	$J=\frac{1}{4}GD^2$ kg m <sup>2</sup>	kg

## OMT2-IE2(aluminum): 2 Pole –3000 r/min

OMT2 80K2	0.75	1.81	2845	0.82	77.4	7.0	2.2	2.3	0.0011	9
OMT2 80G2	1.1	2.34	2865	0.83	79.6	7.4	2.2	2.3	0.0013	9.9
OMT2 90S2	1.5	3.10	2875	0.84	81.3	7.0	2.2	2.3	0.00185	13.7
OMT2 90L2	2.2	4.26	2865	0.85	83.2	7.0	2.2	2.3	0.00215	15.4
OMT2 100L2	3.0	5.81	2860	0.87	84.6	7.5	2.2	2.5	0.00425	22.5
OMT2 112M2	4.0	7.16	2880	0.88	85.8	7.5	2.2	2.5	0.0065	28.5
OMT2 132S2	5.5	10.1	2925	0.88	87.0	7.5	2.2	2.5	0.01456	44
OMT2 132SX2	7.5	13.9	2930	0.88	88.1	7.5	2.2	2.5	0.01565	49
OMT2 160M2	11.0	19.3	2935	0.89	89.4	7.5	2.2	2.5	0.0549	74
OMT2 160MX2	15.0	26.3	2935	0.89	90.3	7.5	2.2	2.5	0.0635	82
OMT2 160L2	18.5	31.6	2935	0.90	90.9	7.5	2.2	2.5	0.0725	80

## OMT2-IE2(aluminum): 4 Pole –1500 r/min

OMT2 80G4	0.75	1.71	1410	0.76	79.6	6.5	2.3	2.3	0.00165	10.5
OMT2 90S4	1.1	2.49	1420	0.77	81.4	7.1	3.1	3.4	0.00232	13.8
OMT2 90L4	1.5	3.22	1420	0.79	82.8	7.1	3.2	3.4	0.00312	16.5
OMT2 100L4	2.2	4.59	1440	0.81	84.3	7.8	3.0	3.5	0.00779	21.5
OMT2 100L4	3.0	6.19	1445	0.82	85.5	7.5	2.8	3.4	0.00865	25.3
OMT2 112M4	4.0	7.78	1460	0.82	86.8	7.2	2.5	3.5	0.01185	32.0
OMT2 132S4	5.5	11.0	1450	0.83	87.7	7.1	2.4	3.3	0.03301	47.0
OMT2 132M4	7.5	14.5	1455	0.84	88.7	7.6	2.5	3.8	0.04121	58.0
OMT2 160M4	11.0	20.8	1465	0.84	89.8	6.9	2.1	2.8	0.1052	84.0
OMT2 160L4	15.0	28.1	1470	0.85	90.6	7.5	2.3	3.1	0.1123	91.0

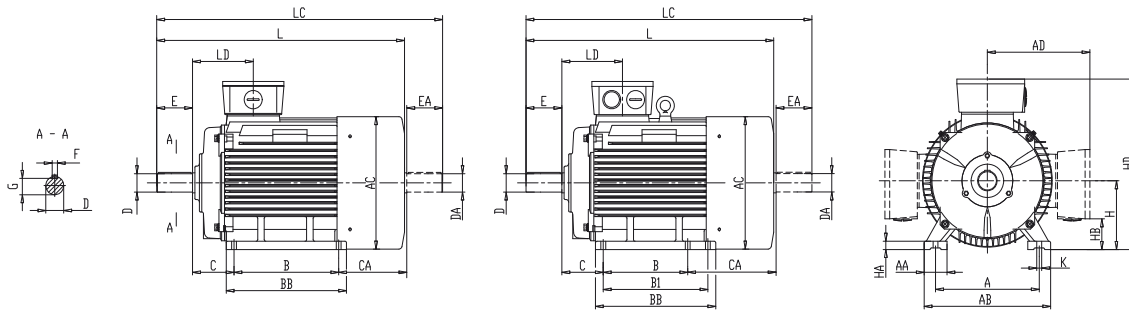
## OMT2-IE2(aluminum): 6 Pole –1000 r/min

OMT2 90S6	0.75	2.00	925	0.72	75.9	5.5	2.0	2.3	0.00321	14
OMT2 90L6	1.1	2.76	920	0.73	78.1	5.5	2.0	2.3	0.00412	16
OMT2 100L6	1.5	3.52	930	0.75	79.8	5.5	2.0	2.2	0.00845	20
OMT2 112M6	2.2	5.05	945	0.76	81.8	6.5	2.0	2.2	0.01326	30
OMT2 132S6	3.0	6.76	965	0.76	83.3	6.5	2.1	2.5	0.03716	45
OMT2 132M6	4.0	8.86	965	0.76	84.6	6.5	2.1	2.5	0.04889	58/
OMT2 132MX6	5.5	11.8	985	0.77	86.0	6.5	2.1	2.5	0.05845	62
OMT2 160M6	7.5	15.9	970	0.77	87.2	6.5	2.0	2.3	0.1212	79
OMT2 160L6	11	22.7	970	0.78	88.7	6.4	2.0	2.3	0.1452	82

# B3 DIMENSIONS

## CAST IRON SERIES

The second shaft dimension will be showed in another table.



### B3

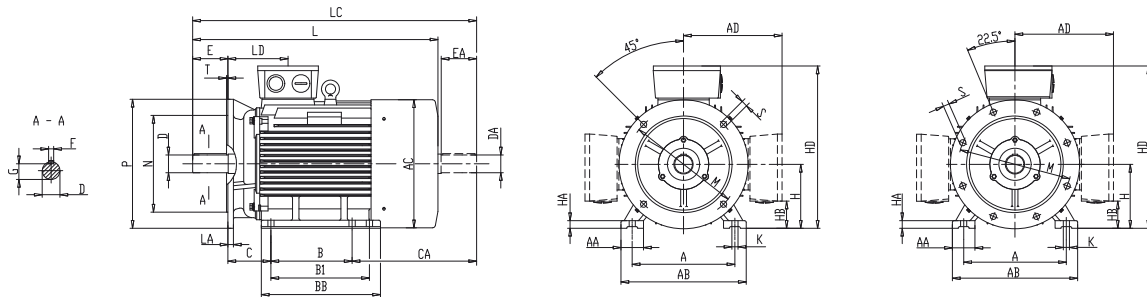
Frame	Pole	Dimension										Dimension								
		A	B	B1	C	CA	H	K	AA	AB	AC	AD	BB	HA	HB	LD	L	LC		
		HD																		
63	2-8	100	80	-	40	-	63 <sup>0.5</sup>	7	30	135	130	-	115	8	-	180	-	65	225	253
71	2-8	112	90	-	45	-	71 <sup>0.5</sup>	7	32	150	145	-	125	8	-	195	-	70	250	285
80	2-8	125	100	-	50	98	80 <sup>0.5</sup>	10	35	160	160	145	130	12	36	225	160	75	280	336
90S	2-8	140	100	-	56	117	90 <sup>0.5</sup>	10	36	180	180	155	140	12	50	245	180	75	315	373
90L	2-8	140	125	-	56	117	90 <sup>0.5</sup>	10	36	180	180	155	165	12	50	245	180	75	340	373
100L	2-8	160	140	-	63	120	100 <sup>0.5</sup>	12	40	200	200	180	175	14	55	280	200	83	375	443
112M	2-8	190	140	-	70	138	112 <sup>0.5</sup>	12	45	230	220	190	180	15	60	305	222	87	400	468
132S	2-8	216	140	-	89	164	132 <sup>0.5</sup>	12	55	265	260	220	190	18	65	355	262	102	465	553
132M	2-8	216	178	-	89	146	132 <sup>0.5</sup>	12	55	265	260	220	230	18	65	355	262	102	505	593
160M	2-8	254	210	-	108	188	160 <sup>0.5</sup>	15	65	315	315	265	260	20	81	425	385	146	608	726
160L	2-8	254	254	-	108	188	160 <sup>0.5</sup>	15	65	315	315	265	305	20	81	425	385	146	652	770
180M	2.4	279	241	-	121	226	180 <sup>0.5</sup>	15	70	350	360	280	315	22	105	460	420	161	690	808
180L	4-8	279	279	-	121	228	180 <sup>0.5</sup>	15	70	350	360	280	350	22	105	460	420	161	730	848
200L	2-8	318	305	-	133	220	200 <sup>0.5</sup>	19	70	390	400	310	370	25	85	510	475	186	760	878
225S	4-8	356	286	-	149	243	225 <sup>0.5</sup>	19	75	435	450	335	370	28	110	555	535	189	810	928
225M	2	356	311	-	149	243	225 <sup>0.5</sup>	19	75	435	450	335	395	28	110	555	535	189	805	923
	4-8	356	311	-	149	198	225 <sup>0.5</sup>	19	75	435	450	335	395	28	110	555	535	189	835	953
250M	2	406	349	-	168	261	250 <sup>0.5</sup>	24	80	485	485	375	445	30	110	625	570	207	910	1028
	4-8	406	349	-	168	261	250 <sup>0.5</sup>	24	80	485	485	375	445	30	120	625	570	207	910	1028
280S	2	457	368	-	190	295	280 <sup>0.5</sup>	24	85	545	550	405	490	35	142	685	660	215	985	1103
	4-8	457	368	-	190	315	280 <sup>0.5</sup>	24	85	545	550	405	490	35	142	685	660	215	1005	1153
280M	2	457	419	-	190	289	280 <sup>0.5</sup>	24	85	545	550	405	540	35	142	685	660	215	1030	1148
	4-8	457	419	-	190	319	280 <sup>0.5</sup>	24	85	545	550	405	540	35	142	685	660	215	1060	1208
315S	2	508	406	-	216	426	315 <sup>0.5</sup>	28	120	630	625	530	570	45	110	845	750	257	1180	1328
	4-8	508	406	-	216	426	315 <sup>0.5</sup>	28	120	630	625	530	570	45	110	845	750	257	1210	1358
315M	2	508	457	508	216	485	315 <sup>0.5</sup>	28	120	630	625	530	680	45	110	845	750	257	1290	1438
315L	4-8	508	457	508	216	485	315 <sup>0.5</sup>	28	120	630	625	530	680	45	110	845	750	257	1320	1498
355M	2	610	500	560	254	640	355 <sup>0.5</sup>	28	120	730	700	615	750	52	110	970	830	284	1526	1674
	4-8	610	500	560	254	640	355 <sup>0.5</sup>	28	120	730	700	615	750	52	110	970	830	284	1556	1734
355L	2	610	560	630	254	580	355 <sup>0.5</sup>	28	120	730	700	615	750	52	110	970	830	284	1526	1674
	4-8	610	560	630	254	580	355 <sup>0.5</sup>	28	120	730	700	615	750	52	110	970	830	284	1556	1734
400M	2	686	710	-	280	698	400 <sup>0.5</sup>	35	120	810	860	-	1100	45	-	1090	-	362	1850	2028
400L	4-8	686	710	-	280	733	400 <sup>0.5</sup>	35	120	810	860	-	1100	45	-	1090	-	362	1925	2143



# B35 DIMENSIONS

## CAST IRON SERIES

The shaft dimension and the second shaft dimension will be showed in another table.



### B35

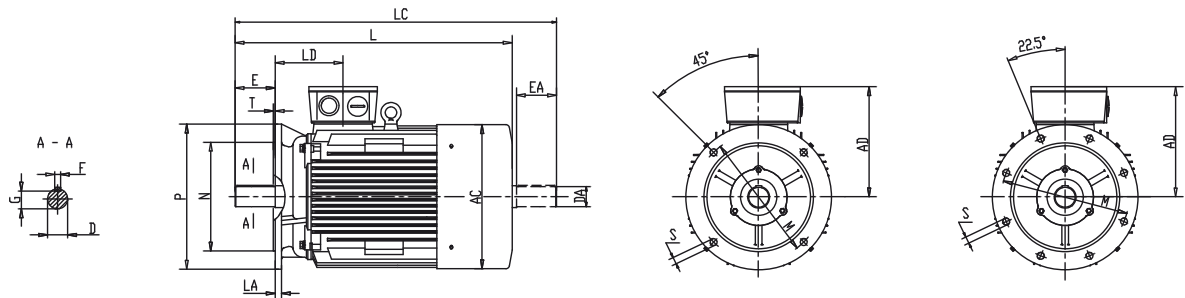
Frame	Pole	Dimension														Dimension											
		A	B	B1	C	CA	H	K	M	N	P	R	S	T	AA	AB	AC	AD	BB	HA	HB	HD		LA	LD	L	LC
		TOP		SIDE		LA	LD	L	LC																		
80	2-8	125	100	-	50	98	80 <sup>0</sup> <sub>0.5</sub>	10	165	130	200	0	4-Φ12	4	35	160	160	145	130	12	36	225	160	12	75	280	336
90S	2-8	140	100	-	56	117	90 <sup>0</sup> <sub>0.5</sub>	10	165	130	200	0	4-Φ12	4	36	180	180	155	140	12	50	245	180	12	75	340	373
90L	2-8	140	125	-	56	117	90 <sup>0</sup> <sub>0.5</sub>	10	165	130	200	0	4-Φ12	4	36	180	180	155	165	12	50	245	180	12	75	340	373
100L	2-8	160	140	-	63	120	100 <sup>0</sup> <sub>0.5</sub>	12	215	180	250	0	4-Φ15	4	40	200	200	180	175	14	55	280	200	13	83	375	443
112M	2-8	190	140	-	70	138	112 <sup>0</sup> <sub>0.5</sub>	12	215	180	250	0	4-Φ15	4	45	230	220	190	180	15	60	305	222	14	87	400	468
132S	2-8	216	140	-	89	164	132 <sup>0</sup> <sub>0.5</sub>	12	265	230	300	0	4-Φ15	4	55	265	260	220	190	18	65	355	262	14	102	465	553
132M	2-8	216	178	-	89	146	132 <sup>0</sup> <sub>0.5</sub>	12	265	230	300	0	4-Φ15	4	55	265	260	220	230	18	65	355	262	14	102	505	593
160M	2-8	254	210	-	108	188	160 <sup>0</sup> <sub>0.5</sub>	15	300	250	350	0	4-Φ19	5	65	315	315	265	260	20	81	425	385	15	146	608	726
160L	2-8	254	254	-	108	188	160 <sup>0</sup> <sub>0.5</sub>	15	300	250	350	0	4-Φ19	5	65	315	315	265	305	20	81	425	385	15	146	652	770
180M	2.4	279	241	-	121	226	180 <sup>0</sup> <sub>0.5</sub>	15	300	250	350	0	4-Φ19	5	70	350	360	280	315	22	105	460	420	15	161	690	808
180L	4-8	279	279	-	121	228	180 <sup>0</sup> <sub>0.5</sub>	15	300	250	350	0	4-Φ19	5	70	350	360	280	350	22	105	460	420	15	161	730	848
200L	2-8	318	305	-	133	220	200 <sup>0</sup> <sub>0.5</sub>	19	350	300	400	0	4-Φ19	5	70	390	400	310	370	25	85	510	475	17	186	760	878
225S	4-8	356	286	-	149	243	225 <sup>0</sup> <sub>0.5</sub>	19	400	350	450	0	4-Φ19	5	75	435	450	335	370	28	110	555	535	20	189	810	928
225M	2	356	311	-	149	243	225 <sup>0</sup> <sub>0.5</sub>	19	400	350	450	0	4-Φ19	5	75	435	450	335	395	28	110	555	535	20	189	805	923
	4-8	356	311	-	149	198	225 <sup>0</sup> <sub>0.5</sub>	19	400	350	450	0	4-Φ19	5	75	435	450	335	395	28	110	555	535	20	189	835	953
250M	2	406	349	-	168	261	250 <sup>0</sup> <sub>0.5</sub>	24	500	450	550	0	4-Φ19	5	80	485	485	375	445	30	110	625	570	22	207	910	1028
	4-8	406	349	-	168	261	250 <sup>0</sup> <sub>0.5</sub>	24	500	450	550	0	4-Φ19	5	80	485	485	375	445	30	120	625	570	22	207	910	1028
280S	2	457	368	-	190	295	280 <sup>0</sup> <sub>1.0</sub>	24	500	450	550	0	4-Φ19	5	85	545	550	405	490	35	142	685	660	22	215	985	1103
	4-8	457	368	-	190	315	280 <sup>0</sup> <sub>1.0</sub>	24	500	450	550	0	4-Φ19	5	85	545	550	405	490	35	142	685	660	22	215	1005	1153
280M	2	457	419	-	190	289	280 <sup>0</sup> <sub>1.0</sub>	24	500	450	550	0	4-Φ19	5	85	545	550	405	540	35	142	685	660	22	215	1030	1148
	4-8	457	419	-	190	319	280 <sup>0</sup> <sub>1.0</sub>	24	500	450	550	0	4-Φ19	5	85	545	550	405	540	35	142	685	660	22	215	1060	1208
315S	2	508	406	-	216	426	315 <sup>0</sup> <sub>1.0</sub>	28	600	550	660	0	4-Φ24	6	120	630	625	530	570	45	110	845	750	22	257	1180	1328
	4-8	508	406	-	216	426	315 <sup>0</sup> <sub>1.0</sub>	28	600	550	660	0	4-Φ24	6	120	630	625	530	570	45	110	845	750	22	257	1210	1358
315M	2	508	457	508	216	485	315 <sup>0</sup> <sub>1.0</sub>	28	600	550	660	0	4-Φ24	6	120	630	625	530	680	45	110	845	750	22	257	1290	1438
315L	4-8	508	457	508	216	485	315 <sup>0</sup> <sub>1.0</sub>	28	600	550	660	0	4-Φ24	6	120	630	625	530	680	45	110	845	750	22	257	1320	1498
355M	2	610	500	560	254	640	355 <sup>0</sup> <sub>1.0</sub>	28	740	680	800	0	4-Φ24	6	120	730	700	615	750	52	110	970	830	25	284	1526	1674
	4-8	610	500	560	254	640	355 <sup>0</sup> <sub>1.0</sub>	28	740	680	800	0	4-Φ24	6	120	730	700	615	750	52	110	970	830	25	284	1556	1734
355L	2	610	560	630	254	580	355 <sup>0</sup> <sub>1.0</sub>	28	740	680	800	0	4-Φ24	6	120	730	700	615	750	52	110	970	830	25	284	1526	1674
	4-8	610	560	630	254	580	355 <sup>0</sup> <sub>1.0</sub>	28	740	680	800	0	4-Φ24	6	120	730	700	615	750	52	110	970	830	25	284	1556	1734
400M	2	686	710	-	280	698	400 <sup>0</sup> <sub>1.0</sub>	35	940	880	1000	0	4-Φ28	6	120	810	860	-	1100	45	-	1090	-	25	362	1850	2028
400L	4-8	686	710	-	280	733	400 <sup>0</sup> <sub>1.0</sub>	35	940	880	1000	0	4-Φ28	6	120	810	860	-	1100	45	-	1090	-	25	362	1925	2143

# B5 DIMENSIONS

## OMT1

## CAST IRON SERIES

The second shaft dimension will be showed in another table.



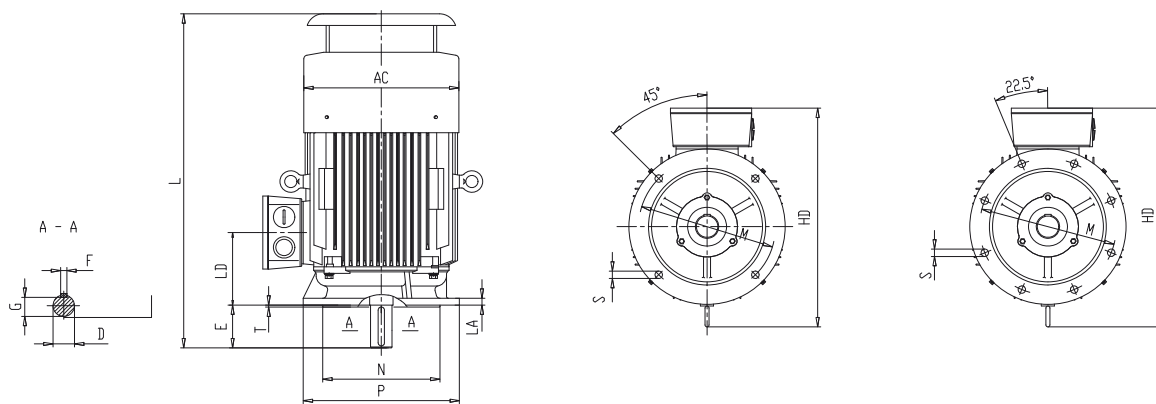
### B5

Frame	Pole	Dimension							Dimension					
		M	N	P	R	S	T	AC	AD	LA	LD	L	LC	
80	2-8	165	130	200	0	4-Φ12	4	160	145	12	75	280	336	
90S	2-8	165	130	200	0	4-Φ12	4	180	155	12	75	315	373	
90L	2-8	165	130	200	0	4-Φ12	4	180	155	12	75	340	373	
100L	2-8	215	180	250	0	4-Φ15	4	200	180	13	83	375	443	
112M	2-8	215	180	250	0	4-Φ15	4	220	193	14	87	400	468	
132S	2-8	265	230	300	0	4-Φ15	4	260	223	14	102	465	553	
132M	2-8	265	230	300	0	4-Φ15	4	260	223	14	102	505	593	
160M	2-8	300	250	350	0	4-Φ19	5	315	265	15	146	608	726	
160L	2-8	300	250	350	0	4-Φ19	5	315	265	15	146	652	770	
180M	2.4	300	250	350	0	4-Φ19	5	360	280	15	161	690	808	
180L	4-8	300	250	350	0	4-Φ19	5	360	280	15	161	730	848	
200L	2-8	350	300	400	0	4-Φ19	5	400	310	17	186	760	878	
225S	4-8	400	350	450	0	4-Φ19	5	450	330	20	189	810	928	
225M	2	400	350	450	0	4-Φ19	5	450	330	20	189	805	923	
	4-8	400	350	450	0	4-Φ19	5	450	330	20	189	835	953	
250M	2	500	450	550	0	4-Φ19	5	485	375	22	207	910	1028	
	4-8	500	450	550	0	4-Φ19	5	485	375	22	207	910	1028	
280S	2	500	450	550	0	4-Φ19	5	550	405	22	215	985	1103	
	4-8	500	450	550	0	4-Φ19	5	550	405	22	215	1005	1153	
280M	2	500	450	550	0	4-Φ19	5	550	405	22	215	1030	1148	
	4-8	500	450	550	0	4-Φ19	5	550	405	22	215	1060	1208	

# V1 DIMENSIONS

## OMT1 CAST IRON SERIES

The second shaft dimension will be showed in another table.



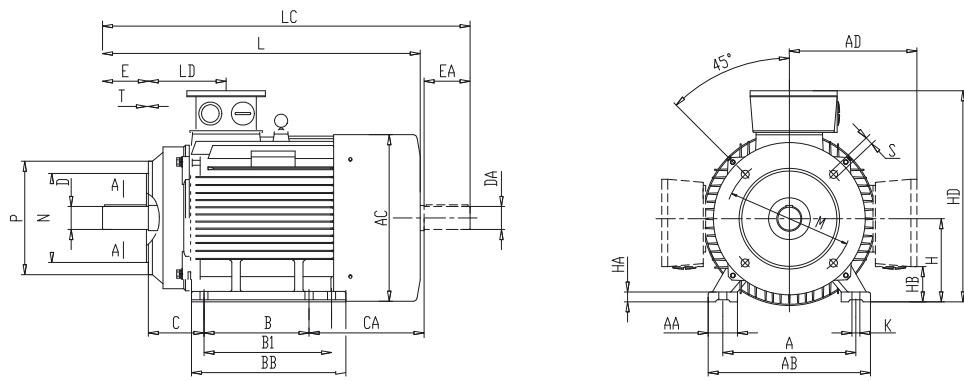
### V1

Frame	Pole	Dimension										Dimension					
		D	E	F	G	M	N	P	R	S	T	AC	HD	LA	LD	L	
80	2-8	19	40	6	15.5	165	130	200	0	4-Φ12	4	160	225	12	75	305	
90S	2-8	24	50	8	20	165	130	200	0	4-Φ12	4	180	245	12	75	345	
90L	2-8	24	50	8	20	165	130	200	0	4-Φ12	4	180	245	12	75	370	
100L	2-8	28	60	8	24	215	180	250	0	4-Φ15	4	200	280	13	83	410	
112M	2-8	28	60	8	24	215	180	250	0	4-Φ15	4	220	305	14	87	450	
132S	2-8	38	80	10	33	265	230	300	0	4-Φ15	4	260	365	14	102	510	
132M	2-8	38	80	10	33	265	230	300	0	4-Φ15	4	260	365	14	102	550	
160M	2-8	42	110	12	37	300	250	350	0	4-Φ19	5	315	445	15	146	660	
160L	2-8	42	110	12	37	300	250	350	0	4-Φ19	5	315	445	15	146	705	
180M	2.4	48	110	14	42.5	300	250	350	0	4-Φ19	5	360	480	15	161	750	
180L	4-8	48	110	14	42.5	300	250	350	0	4-Φ19	5	360	480	15	161	790	
200L	2-8	55	110	16	49	350	300	400	0	4-Φ19	5	400	530	17	186	840	
225S	4-8	60	140	18	53	400	350	450	0	4-Φ19	5	450	575	20	189	905	
225M	2	55	110	16	49	400	350	450	0	4-Φ19	5	450	575	20	189	910	
	4-8	60	140	18	53	400	350	450	0	4-Φ19	5	450	575	20	189	935	
250M	2	60	140	18	53	500	450	550	0	4-Φ19	5	485	635	22	207	1005	
	4-8	65	140	18	58	500	450	550	0	4-Φ19	5	485	635	22	207	1005	
280S	2	65	140	18	58	500	450	550	0	4-Φ19	5	550	725	22	215	1110	
	4-8	75	140	20	67.5	500	450	550	0	4-Φ19	5	550	725	22	215	1130	
280M	2	65	140	18	58	500	450	550	0	4-Φ19	5	550	725	22	215	1155	
	4-8	75	140	20	67.5	500	450	550	0	4-Φ19	5	550	725	22	215	1185	
315S	2	65	140	18	58	600	550	660	0	4-Φ24	6	625	865	22	257	1340	
	4-8	80	170	22	71	600	550	660	0	4-Φ24	6	625	865	22	257	1370	
315M	2	65	140	18	58	600	550	660	0	4-Φ24	6	625	865	22	257	1450	
315L	4-8	80	170	22	71	600	550	660	0	4-Φ24	6	625	865	22	257	1480	
355M	2	75	140	20	67.5	740	680	800	0	4-Φ24	6	700	970	25	284	1665	
355L	4-8	95	170	25	86	740	680	800	0	4-Φ24	6	700	970	25	284	1700	
400M	2	80	170	22	71	940	880	1000	0	4-Φ28	6	860	1150	25	362	2150	
400L	4-8	110	210	28	100	940	880	1000	0	4-Φ28	6	860	1150	25	362	2220	

# B34A-B34B DIMENSIONS

## CAST IRON SERIES

The shaft dimension and the second shaft dimension will be showed in another table.



### B34A

Frame	Pole	Dimension													Dimension								LD	L	LC
		A	B	C	CA	H	K	M	N	P	R	S	T	AA	AB	AC	AD	BB	HA	HB	HD				
																					TOP	SIDE			
80	2-8	125	100	50	98	80 <sup>0</sup> <sub>-0.5</sub>	10	100	80	120	0	4-M6	3	35	160	160	145	130	12	36	225	160	75	280	336
90S	2-8	140	100	56	117	90 <sup>0</sup> <sub>-0.5</sub>	10	115	95	140	0	4-M8	3	36	180	180	155	140	12	50	245	180	75	315	373
90L	2-8	140	125	56	117	90 <sup>0</sup> <sub>-0.5</sub>	10	115	95	140	0	4-M8	3	36	180	180	155	165	12	50	245	180	75	340	373
100L	2-8	160	140	63	120	100 <sup>0</sup> <sub>-0.5</sub>	12	130	110	160	0	4-M8	3.5	40	200	200	180	175	14	55	280	200	83	375	443
112M	2-8	190	140	70	138	112 <sup>0</sup> <sub>-0.5</sub>	12	130	110	160	0	4-M8	3.5	45	230	220	190	180	15	60	305	222	87	400	468
132S	2-8	216	140	89	164	132 <sup>0</sup> <sub>-0.5</sub>	12	165	130	200	0	4-M10	4	55	265	260	220	190	18	65	355	262	102	465	553
132M	2-8	216	178	89	146	132 <sup>0</sup> <sub>-0.5</sub>	12	165	130	200	0	4-M10	4	55	265	260	220	230	18	65	355	262	102	505	593

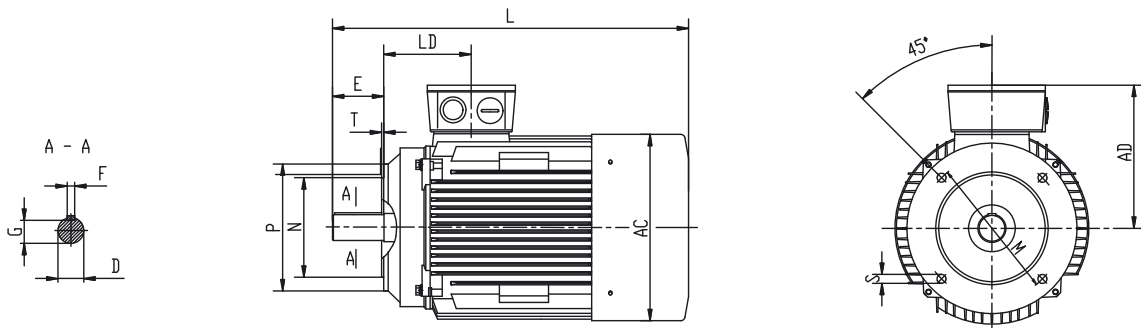
### B34B

Frame	Pole	Dimension													Dimension								LD	L	LC
		A	B	C	CA	H	K	M	N	P	R	S	T	AA	AB	AC	AD	BB	HA	HB	HD				
																					TOP	SIDE			
80	2-8	125	100	50	98	80 <sup>0</sup> <sub>-0.5</sub>	10	130	110	160	0	4-M8	3.5	35	160	160	145	130	12	36	225	160	75	280	336
90S	2-8	140	100	56	117	90 <sup>0</sup> <sub>-0.5</sub>	10	130	110	160	0	4-M8	3.5	36	180	180	155	140	12	50	245	180	75	315	373
90L	2-8	140	125	56	117	90 <sup>0</sup> <sub>-0.5</sub>	10	130	110	160	0	4-M8	3.5	36	180	180	155	165	12	50	245	180	75	340	373
100L	2-8	160	140	63	120	100 <sup>0</sup> <sub>-0.5</sub>	12	165	130	200	0	4-M8	3.5	40	200	200	180	175	14	55	280	200	83	375	443
112M	2-8	190	140	70	138	112 <sup>0</sup> <sub>-0.5</sub>	12	165	130	200	0	4-M8	3.5	45	230	220	190	180	15	60	305	222	87	400	468
132S	2-8	216	140	89	164	132 <sup>0</sup> <sub>-0.5</sub>	12	215	180	250	0	4-M10	4	55	265	260	220	190	18	65	355	262	102	465	553
132M	2-8	216	178	89	146	132 <sup>0</sup> <sub>-0.5</sub>	12	215	180	250	0	4-M10	4	55	265	260	220	230	18	65	355	262	102	505	593

# B14A-B14B DIMENSIONS

## CAST IRON SERIES

The shaft dimension and the second shaft dimension will be showed in another table.



### B14A

Frame	Pole	Dimension										Dimension			
		D	E	F	G	M	N	P	R	S	T	AC	AD	LD	L
80	2-8	19	40	6	15.5	100	80	120	0	4-M6	3	160	145	75	280
90S	2-8	24	50	8	20	115	95	140	0	4-M8	3	180	155	75	315
90L	2-8	24	50	8	20	115	95	140	0	4-M8	3	180	155	75	340
100L	2-8	28	60	8	24	130	110	160	0	4-M8	3.5	200	180	83	375
112M	2-8	28	60	8	24	130	110	160	0	4-M8	3.5	220	193	87	400
132S	2-8	38	80	10	33	165	130	200	0	4-M10	4	260	223	102	465
132M	2-8	38	80	10	33	165	130	200	0	4-M10	4	260	223	102	505

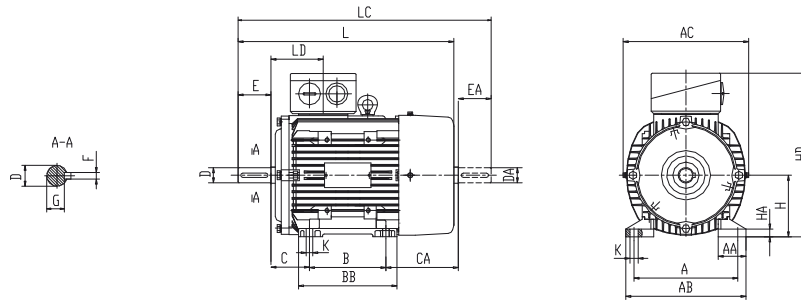
### B14B

Frame	Pole	Dimension										Dimension			
		D	E	F	G	M	N	P	R	S	T	AC	AD	LD	L
80	2-8	19	40	6	15.5	130	110	160	0	4-M8	3.5	160	145	75	280
90S	2-8	24	50	8	20	130	110	160	0	4-M8	3.5	180	155	75	315
90L	2-8	24	50	8	20	130	110	160	0	4-M8	3.5	180	155	75	340
100L	2-8	28	60	8	24	165	130	200	0	4-M10	3.5	200	180	83	375
112M	2-8	28	60	8	24	165	130	200	0	4-M10	3.5	220	193	87	400
132S	2-8	38	80	10	33	215	180	250	0	4-M12	4	260	223	102	465
132M	2-8	38	80	10	33	215	180	250	0	4-M12	4	260	223	102	505

# B3-B35 DIMENSIONS

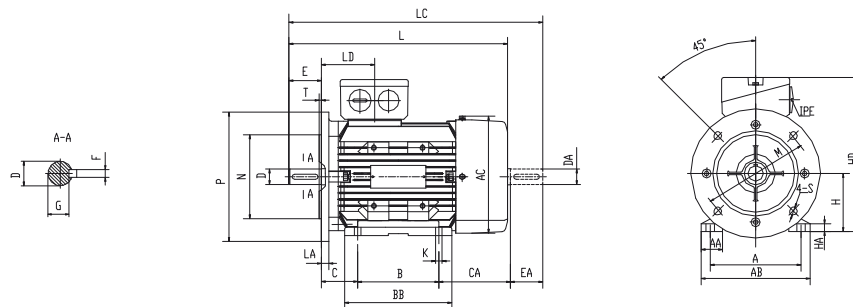
## ALUMINIUM SERIES

The shaft dimension and the second shaft dimension will be showed in another table.



### B3

Frame	Pole	Dimension								Dimension							
		A	B	C	CA	H	K	AA	AB	AC	BB	HA	HD	LD	L	LC	
56	2, 4	90	71	36	70	56 <sup>0</sup> <sub>-0.5</sub>	6	25	110	120	90	7	149	61	192	217	
63	2, 4	100	80	40	77	63 <sup>0</sup> <sub>-0.5</sub>	7	30	120	120	105	8	160	61	215	243	
71	2-6	112	90	45	85	71 <sup>0</sup> <sub>-0.5</sub>	7	30	136	150	106	9	175	72	245	280	
80	2-8	125	100	50	110	80 <sup>0</sup> <sub>-0.5</sub>	10	41	150	170	130	10	225	82	295	340	
90S	2-8	140	100	56	139	90 <sup>0</sup> <sub>-0.5</sub>	10	47	168	190	165	12	245	82	340	395	
90L	2-8	140	125	56	114	90 <sup>0</sup> <sub>-0.5</sub>	10	47	168	190	165	12	245	82	340	395	
100L	2-8	160	140	63	127	100 <sup>0</sup> <sub>-0.5</sub>	12	45	190	206	176	12	280	92	385	450	
112M	2-8	190	140	70	130	112 <sup>0</sup> <sub>-0.5</sub>	12	53	220	230	180	14	305	94	395	460	
132S	2-8	216	140	89	201	132 <sup>0</sup> <sub>-0.5</sub>	12	60	252	265	224	15	355	106	510	595	
132M	2-8	216	178	89	163	132 <sup>0</sup> <sub>-0.5</sub>	12	60	252	265	224	15	355	106	510	595	
160M	2-8	254	210	108	183	160 <sup>0</sup> <sub>-0.5</sub>	15	73	310	320	325	20	425	146	606	721	
160L	2-8	254	254	108	183	160 <sup>0</sup> <sub>-0.5</sub>	15	73	310	320	325	20	425	146	650	765	



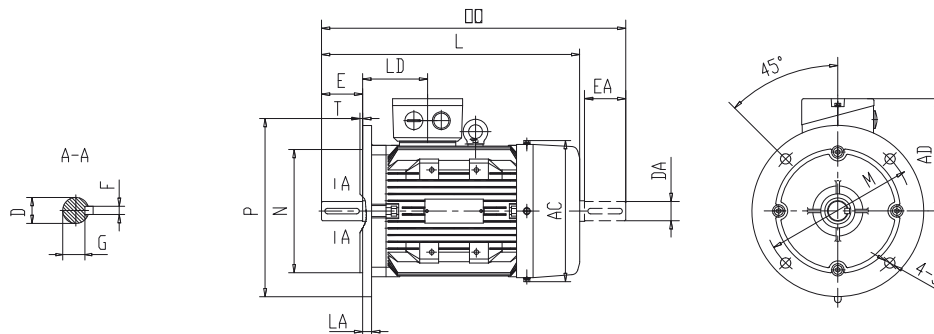
### B35

Frame	Pole	Dimension													Dimension								
		A	B	C	CA	H	K	M	N	P	R	S	T	AA	AB	AC	BB	HA	HD	LA	LD	L	LC
56	2, 4	90	71	36	70	56 <sup>0</sup> <sub>-0.5</sub>	6	100	80	120	0	4-Ø7	3	25	110	120	90	7	149	9	61	192	217
63	2, 4	100	80	40	77	63 <sup>0</sup> <sub>-0.5</sub>	7	115	95	140	0	4-Ø10	3	30	120	120	105	8	160	9	61	211	239
71	2-6	112	90	45	85	71 <sup>0</sup> <sub>-0.5</sub>	7	130	110	160	0	4-Ø10	3	30	136	150	106	9	175	10	72	240	275
80	2-8	125	100	50	110	80 <sup>0</sup> <sub>-0.5</sub>	10	165	130	200	0	4-Ø15	4	41	150	170	130	10	225	12	82	284	329
90S	2-8	140	100	56	139	90 <sup>0</sup> <sub>-0.5</sub>	10	165	130	200	0	4-Ø12	4	47	168	190	165	12	245	12	82	316	371
90L	2-8	140	125	56	114	90 <sup>0</sup> <sub>-0.5</sub>	10	165	130	200	0	4-Ø12	4	47	168	190	165	12	245	12	82	341	396
100L	2-8	160	140	63	127	100 <sup>0</sup> <sub>-0.5</sub>	12	215	180	250	0	4-Ø15	4	45	190	206	176	12	280	13	92	377	442
112M	2-8	190	140	70	130	112 <sup>0</sup> <sub>-0.5</sub>	12	215	180	250	0	4-Ø15	4	53	220	230	180	14	305	14	94	392	457
132S	2-8	216	140	89	201	132 <sup>0</sup> <sub>-0.5</sub>	12	265	230	300	0	4-Ø15	4	60	252	265	224	15	355	14	106	463	548
132M	2-8	216	178	89	163	132 <sup>0</sup> <sub>-0.5</sub>	12	265	230	300	0	4-Ø15	4	60	252	265	224	15	355	14	106	501	586
160M	2-8	254	210	108	183	160 <sup>0</sup> <sub>-0.5</sub>	15	300	250	350	0	4-Ø19	5	73	310	320	325	20	425	15	146	606	721
160L	2-8	254	254	108	183	160 <sup>0</sup> <sub>-0.5</sub>	15	300	250	350	0	4-Ø19	5	73	310	320	325	20	425	15	146	650	765

# B5-B14 DIMENSIONS

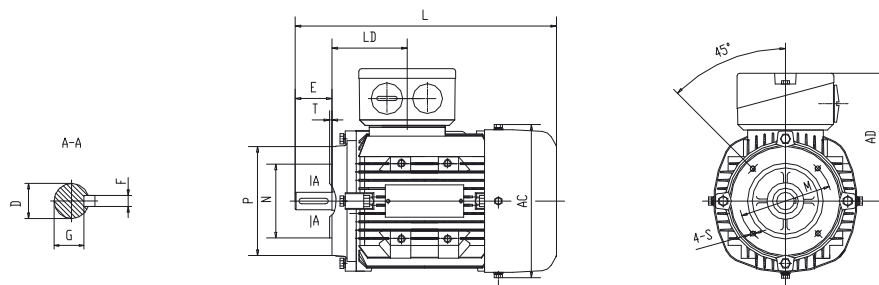
## ALUMINIUM SERIES

The shaft dimension and the second shaft dimension will be showed in another table.



### B5

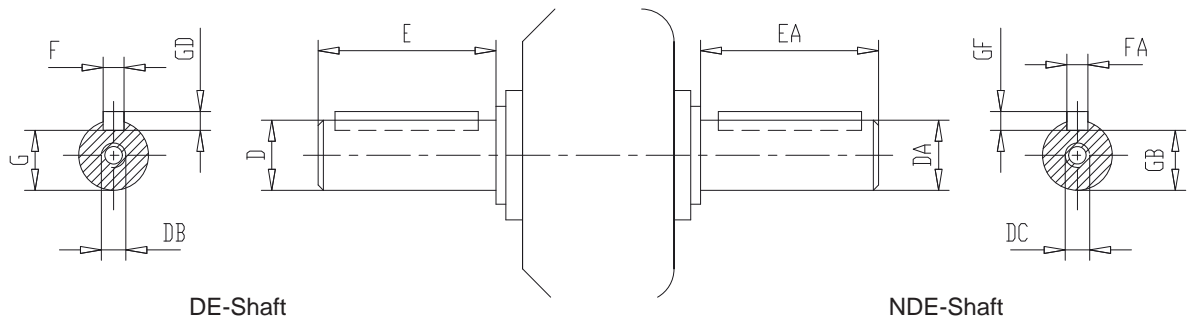
Frame	Pole	Dimension							Dimension					
		M	N	P	R	S	T	AC	AD	L	LA	LC	LD	
56	2-4	100	80	120	0	Φ7	3	108	93	192	9	217	61	
63	2-4	115	95	140	0	Φ10	3	120	97	215	9	243	61	
71	2-6	130	110	160	0	Φ10	3	140	104	245	10	280	72	
80	2-8	165	130	200	0	Φ12	4	160	113	295	12	340	82	
90S	2-8	165	130	200	0	Φ12	4	175	123	340	12	395	82	
90L	2-8	165	130	200	0	Φ12	4	175	123	340	12	395	82	
100L	2-8	215	180	250	0	Φ15	4	195	157	385	13	450	92	
112M	2-8	215	180	250	0	Φ15	4	220	163	395	14	460	94	
132S	2-8	265	230	300	0	Φ15	4	265	183	510	14	595	106	
132M	2-8	265	230	300	0	Φ15	4	265	183	510	14	595	106	
160M	2-8	300	250	350	0	Φ19	5	320	223	606	15	721	146	
160L	2-8	300	250	350	0	Φ19	5	320	223	650	15	765	146	



### B14

Frame	Pole	Dimension										Dimension			
		D	E	F	G	M	N	P	R	S	T	AC	AD	L	LD
56	2-4	9	20	3	7	65	50	80	0	M5	2	108	93	192	61
63	2-4	11	23	4	8.5	75	60	90	0	M5	2.5	120	97	211	61
71	2-6	14	30	5	11	85	70	105	0	M6	2.5	140	104	240	72
80	2-8	19	40	6	15.5	100	80	120	0	M6	3	160	113	284	82
90S	2-8	24	50	8	20	115	95	140	0	M8	3	175	123	316	82
90L	2-8	24	50	8	20	115	95	140	0	M8	3	175	123	341	82
100L	2-8	28	60	8	24	130	110	160	0	M8	3.5	195	157	377	92
112M	2-8	28	60	8	24	130	110	160	0	M8	3.5	220	163	392	94
132S	2-8	38	80	10	33	165	130	200	0	M10	3.5	265	183	463	106
132M	2-8	38	80	10	33	165	130	200	0	M10	3.5	265	183	501	106
160M	2-8	42	110	12	37	215	180	250	0	M12	4	320	223	606	146
160L	2-8	42	110	12	37	215	180	250	0	M12	4	320	223	650	146

### Shaft dimensions



### B3, B35, B5, B34

Frame	Pole	D	DA	E	EA	F	FA	G	GB	GD	GF	DB	DC
56	2, 4	Φ9j6 <sup>(+0.007)</sup> <sub>(-0.002)</sub>	Φ9j6 <sup>(+0.007)</sup> <sub>(-0.002)</sub>	20	20	3	3	7	7	3	3	M3	M3
63	2, 4	Φ11j6 <sup>(+0.008)</sup> <sub>(-0.003)</sub>	Φ11j6 <sup>(+0.008)</sup> <sub>(-0.003)</sub>	23	23	4	4	8.5	8.5	4	4	M4	M4
71	2, 4, 6	Φ14j6 <sup>(+0.008)</sup> <sub>(-0.004)</sub>	Φ14j6 <sup>(+0.008)</sup> <sub>(-0.004)</sub>	30	30	5	5	11	11	5	5	M5	M5
80	2, 4, 6, 8	Φ19j6 <sup>(+0.009)</sup> <sub>(-0.004)</sub>	Φ19j6 <sup>(+0.009)</sup> <sub>(-0.004)</sub>	40	40	6	6	15.5	15.5	6	6	M6	M6
90S	2, 4, 6, 8	Φ24j6 <sup>(+0.009)</sup> <sub>(-0.004)</sub>	Φ24j6 <sup>(+0.009)</sup> <sub>(-0.004)</sub>	50	50	8	8	20	20	7	7	M8	M8
90L	2, 4, 6, 8	Φ24j6 <sup>(+0.009)</sup> <sub>(-0.004)</sub>	Φ24j6 <sup>(+0.009)</sup> <sub>(-0.004)</sub>	50	50	8	8	20	20	7	7	M8	M8
100L	2, 4, 6, 8	Φ28j6 <sup>(+0.009)</sup> <sub>(-0.004)</sub>	Φ28j6 <sup>(+0.009)</sup> <sub>(-0.004)</sub>	60	60	8	8	24	24	7	7	M10	M10
112M	2, 4, 6, 8	Φ28j6 <sup>(+0.009)</sup> <sub>(-0.004)</sub>	Φ28j6 <sup>(+0.009)</sup> <sub>(-0.004)</sub>	60	60	8	8	24	24	7	7	M10	M10
132S	2, 4, 6, 8	Φ38k6 <sup>(+0.018)</sup> <sub>(-0.002)</sub>	Φ38k6 <sup>(+0.018)</sup> <sub>(-0.002)</sub>	80	80	10	10	33	33	8	8	M12	M12
132M	2, 4, 6, 8	Φ38k6 <sup>(+0.018)</sup> <sub>(-0.002)</sub>	Φ38k6 <sup>(+0.018)</sup> <sub>(-0.002)</sub>	80	80	10	10	33	33	8	8	M12	M12
160M	2, 4, 6, 8	Φ42k6 <sup>(+0.018)</sup> <sub>(-0.002)</sub>	Φ42k6 <sup>(+0.018)</sup> <sub>(-0.002)</sub>	110	110	12	12	37	37	8	8	M16	M16
160L	2, 4, 6, 8	Φ42k6 <sup>(+0.018)</sup> <sub>(-0.002)</sub>	Φ42k6 <sup>(+0.018)</sup> <sub>(-0.002)</sub>	110	110	12	12	37	37	8	8	M16	M16
180M	2, 4	Φ48k6 <sup>(+0.018)</sup> <sub>(-0.002)</sub>	Φ48k6 <sup>(+0.018)</sup> <sub>(-0.002)</sub>	110	110	14	14	42.5	42.5	9	9	M16	M16
180L	4, 6, 8	Φ48k6 <sup>(+0.018)</sup> <sub>(-0.002)</sub>	Φ48k6 <sup>(+0.018)</sup> <sub>(-0.002)</sub>	110	110	14	14	42.5	42.5	9	9	M16	M16
200L	2	Φ55m6 <sup>(+0.03)</sup> <sub>(-0.011)</sub>	Φ48k6 <sup>(+0.018)</sup> <sub>(-0.002)</sub>	110	110	16	14	49	42.5	10	9	M20	M20
	4, 6, 8	Φ55m6 <sup>(+0.03)</sup> <sub>(-0.011)</sub>	Φ55m6 <sup>(+0.03)</sup> <sub>(-0.011)</sub>	110	110	16	16	49	49	10	10	M20	M20
225S	4, 6, 8	Φ60m6 <sup>(+0.03)</sup> <sub>(-0.011)</sub>	Φ55m6 <sup>(+0.03)</sup> <sub>(-0.011)</sub>	140	110	18	16	53	49	11	10	M20	M20
225M	2	Φ55m6 <sup>(+0.03)</sup> <sub>(-0.011)</sub>	Φ48k6 <sup>(+0.018)</sup> <sub>(-0.002)</sub>	110	110	16	14	49	42.5	10	9	M20	M20
	4, 6, 8	Φ60m6 <sup>(+0.03)</sup> <sub>(-0.011)</sub>	Φ55m6 <sup>(+0.03)</sup> <sub>(-0.011)</sub>	140	110	18	16	53	49	11	10	M20	M20
250M	2	Φ60m6 <sup>(+0.03)</sup> <sub>(-0.011)</sub>	Φ55m6 <sup>(+0.03)</sup> <sub>(-0.011)</sub>	140	110	18	16	53	49	11	10	M20	M20
	4, 6, 8	Φ65m6 <sup>(+0.03)</sup> <sub>(-0.011)</sub>	Φ55m6 <sup>(+0.03)</sup> <sub>(-0.011)</sub>	140	110	18	16	58	49	11	10	M20	M20
280S	2	Φ65m6 <sup>(+0.03)</sup> <sub>(-0.011)</sub>	Φ55m6 <sup>(+0.03)</sup> <sub>(-0.011)</sub>	140	110	18	16	58	49	11	10	M20	M20
	4, 6, 8	Φ75m6 <sup>(+0.03)</sup> <sub>(-0.011)</sub>	Φ65m6 <sup>(+0.03)</sup> <sub>(-0.011)</sub>	140	140	20	18	67.5	53	12	11	M20	M20
280M	2	Φ65m6 <sup>(+0.03)</sup> <sub>(-0.011)</sub>	Φ55m6 <sup>(+0.03)</sup> <sub>(-0.011)</sub>	140	110	18	16	58	49	11	10	M20	M20
	4, 6, 8	Φ75m6 <sup>(+0.03)</sup> <sub>(-0.011)</sub>	Φ65m6 <sup>(+0.03)</sup> <sub>(-0.011)</sub>	140	140	20	18	67.5	53	12	11	M20	M20
315S	2	Φ65m6 <sup>(+0.03)</sup> <sub>(-0.011)</sub>	Φ65m6 <sup>(+0.03)</sup> <sub>(-0.011)</sub>	140	140	18	18	58	58	11	11	M20	M20
	4, 6, 8	Φ80m6 <sup>(+0.03)</sup> <sub>(-0.011)</sub>	Φ80m6 <sup>(+0.03)</sup> <sub>(-0.011)</sub>	170	170	22	22	71	71	14	14	M20	M20
315M	2	Φ65m6 <sup>(+0.03)</sup> <sub>(-0.011)</sub>	Φ65m6 <sup>(+0.03)</sup> <sub>(-0.011)</sub>	140	140	18	18	58	58	11	11	M20	M20
315L	4, 6, 8	Φ80m6 <sup>(+0.03)</sup> <sub>(-0.011)</sub>	Φ80m6 <sup>(+0.03)</sup> <sub>(-0.011)</sub>	170	170	22	22	71	71	14	14	M20	M20
355M	2	Φ75m6 <sup>(+0.03)</sup> <sub>(-0.011)</sub>	Φ75m6 <sup>(+0.03)</sup> <sub>(-0.011)</sub>	140	140	20	20	67.5	67.5	12	12	M20	M20
	4, 6, 8	Φ95m6 <sup>(+0.035)</sup> <sub>(-0.012)</sub>	Φ95m6 <sup>(+0.035)</sup> <sub>(-0.012)</sub>	170	170	25	25	86	86	14	14	M20	M20
355L	2	Φ75m6 <sup>(+0.03)</sup> <sub>(-0.011)</sub>	Φ75m6 <sup>(+0.03)</sup> <sub>(-0.011)</sub>	140	140	20	20	67.5	67.5	12	12	M20	M20
	4, 6, 8	Φ95m6 <sup>(+0.035)</sup> <sub>(-0.012)</sub>	Φ95m6 <sup>(+0.035)</sup> <sub>(-0.012)</sub>	170	170	25	25	86	86	14	14	M20	M20
400M	2	Φ80m6 <sup>(+0.03)</sup> <sub>(-0.011)</sub>	Φ80m6 <sup>(+0.03)</sup> <sub>(-0.011)</sub>	170	170	22	22	71	71	14	14	M24	M24
400L	4, 6, 8	Φ110m6 <sup>(+0.035)</sup> <sub>(-0.013)</sub>	Φ110m6 <sup>(+0.035)</sup> <sub>(-0.013)</sub>	210	210	28	28	100	100	16	16	M24	M24



# OM-GO

Series Three Phase  
Asynchronous  
Motors OM-GO total enclosed  
cast iron structure  
normal efficiency motor  
complies with Eff2 standard,  
the protection class is IP55,  
the insulation class is F  
and power range from  
0.12kw to 2000kw,  
frame size from 63 to 560.  
Motor complies  
with GOST 51689 standard.  
OM-GO motors are suitable  
for the ambient temperature  
below -35/40°C



# TECHNICAL DATA OM-GO

Motor Type	Rated Power	Current 380 V	Rated Speed	Power Factor	Efficiency	Locked Current / Rated Current	Locked Torque / Rated Torque	Maximum Torque / Rated Torque	Moment Of Inertia	Weight
	$P_N$ kW	$I_N$ A	$n_N$ r/min	$\cos\phi$	$\eta$ %	$I_S/I_N$	$M_S/M_N$	$M_M/M_N$	$J=\frac{1}{4}GD^2$ kgm <sup>2</sup>	kg

## OM-GO: 2 Pole -3000 r/min

OM-GO 71K2	0.75	1.86	2785	0.83	74.0	5.3	2.3	2.6	0.0007	16
OM-GO 71G2	1.1	2.52	2785	0.86	77.0	5.2	2.2	2.5	0.0008	18
OM-GO 80K2	1.5	3.32	2825	0.87	79.0	6.4	2.5	3.0	0.0015	19
OM-GO 80G2	2.2	4.69	2840	0.87	82.0	6.5	2.6	3.2	0.0018	21
OM-GO 90L2	3	6.5	2830	0.86	82.0	6.5	2.4	2.9	0.0022	28
OM-GO 100S2	4	8.7	2880	0.84	83.0	7.1	2.6	3.2	0.0028	35
OM-GO 100L2	5.5	11	2885	0.87	87.0	7.0	2.5	3.0	0.0032	38
OM-GO 112M2	7.5	14.5	2865	0.89	88.0	6.9	2.1	3.1	0.0085	47
OM-GO 132M2	11	21.6	2890	0.88	88.0	7.6	2.1	3.1	0.0153	68
OM-GO 160S2	15	29.8	2930	0.86	89.0	8.3	2.5	3.2	0.0549	117
OM-GO 160M2	18.5	35.9	2930	0.87	90.0	8.4	2.6	3.5	0.0625	134
OM-GO 180S2	22	41.5	2960	0.89	90.5	7.7	2.6	3.3	0.0955	169
OM-GO 180M2	30	55.7	2960	0.89	92.0	7.4	2.3	3.0	0.1025	182
OM-GO 200M2	37	69.4	2950	0.88	92.0	7.6	2.2	3.1	0.173	239
OM-GO 200L2	45	82.1	2950	0.90	92.5	7.1	2.1	2.9	0.195	254
OM-GO 225M2	55	99.3	2960	0.90	93.5	7.5	2.3	3.1	0.312	315
OM-GO 250S2	75	136.2	2965	0.90	93.0	7.3	2.2	3.2	0.425	425
OM-GO 250M2	90	161	2965	0.91	93.2	7.6	2.1	3.0	0.531	460
OM-GO 280S2	110	198.2	2965	0.90	93.7	7.2	2.4	3.3	0.754	565
OM-GO 280M2	132	235.8	2970	0.90	94.5	7.1	2.3	3.0	0.954	600
OM-GO 315S2	160	287.4	2975	0.90	94.0	6.9	2.2	3.1	1.726	920
OM-GO 315M2	200	356.5	2975	0.90	94.7	6.7	2.0	2.9	1.941	970

## OM-GO: 4 Pole -1500 r/min

OM-GO 71K4	0.55	1.51	1355	0.78	71.0	4.8	2.3	2.9	0.0013	17
OM-GO 71G4	0.75	1.92	1355	0.79	75.0	5.1	2.3	2.8	0.0015	19
OM-GO 80K4	1.1	2.71	1380	0.80	77.0	5.9	2.2	2.6	0.0034	20
OM-GO 80G4	1.5	3.63	1385	0.80	78.5	6.0	2.3	2.8	0.0042	22
OM-GO 90L4	2.2	5.1	1380	0.83	79.0	6.3	2.2	2.6	0.0035	32
OM-GO 100S4	3	7.2	1430	0.80	79.0	6.9	2.7	3.1	0.0067	38
OM-GO 100L4	4	8.8	1435	0.82	84.2	6.8	2.6	2.9	0.0075	42
OM-GO 112M4	5.5	11.7	1435	0.83	86.0	6.9	2.4	3.2	0.0099	46
OM-GO 132S4	7.5	15.6	1445	0.83	88.0	8.1	2.4	3.3	0.0331	73
OM-GO 132M4	11	22.6	1435	0.84	88.0	7.9	2.3	3.0	0.0405	78
OM-GO 160S4	15	29.4	1460	0.87	89.0	7.3	2.2	3.0	0.1052	133
OM-GO 160M4	18.5	35.1	1460	0.89	90.0	7.0	2.1	2.9	0.1232	148
OM-GO 180S4	22	41.7	1465	0.88	91.0	6.9	2.1	3.1	0.1659	181
OM-GO 180M4	30	56.6	1465	0.88	91.5	6.8	2.0	3.0	0.1865	198
OM-GO 200M4	37	70.2	1470	0.87	92.0	6.8	2.3	3.1	0.325	242
OM-GO 200L4	45	85.0	1470	0.87	92.5	6.6	2.1	2.8	0.365	252
OM-GO 225M4	55	103.3	1480	0.87	93.0	6.7	2.3	3.0	0.635	345
OM-GO 250S4	75	138.5	1475	0.88	93.5	7.1	2.3	3.1	0.751	445
OM-GO 250M4	90	165.5	1480	0.88	94.0	6.9	2.1	2.9	0.852	475
OM-GO 280S4	110	197.3	1485	0.90	94.1	7.2	2.5	3.1	1.552	600
OM-GO 280M4	132	236.2	1485	0.89	95.4	7.5	2.6	3.2	1.965	650
OM-GO 315S4	160	285.4	1485	0.89	95.7	5.9	1.9	2.7	3.678	1070
OM-GO 315M4	200	373.2	1485	0.85	95.8	6.2	1.9	2.7	4.47	1181

# TECHNICAL DATA OM-GO

Motor Type	Rated Power	Current 380 V	Rated Speed	Power Factor	Efficiency	Locked Current / Rated Current	Locked Torque / Rated Torque	Maximum Torque / Rated Torque	Moment Of Inertia	Weight
	$P_N$ kW	$I_N$ A	$n_N$ r/min	$\cos\phi$	$\eta$ %	$I_S/I_N$	$M_S/M_N$	$M_M/M_N$	$J = \frac{1}{4}GD^2$ kgm <sup>2</sup>	kg

## OM-GO: 6 Pole –1000 r/min

OM-GO 71K6	0.37	1.24	865	0.66	68.5	3.5	2.2	2.9	0.0015	17
OM-GO 71G6	0.55	1.76	875	0.68	70.0	3.8	2.3	2.9	0.0016	19
OM-GO 80K6	0.75	2.29	885	0.70	71.0	4.2	2.0	2.4	0.0039	20
OM-GO 80G6	1.1	3.16	880	0.72	73.5	4.5	2.1	2.5	0.0048	22
OM-GO 90L6	1.5	4.2	910	0.73	75.0	5.3	2.3	2.8	0.0042	28
OM-GO 100L6	2.2	5.8	935	0.72	80.0	5.5	2.4	2.9	0.0069	33
OM-GO 112M6	3	6.95	940	0.79	83.0	5.8	2.0	2.8	0.0132	41
OM-GO 112MX6	4	9.04	940	0.80	84.0	5.8	2.1	3.0	0.0145	46
OM-GO 132S6	5.5	12.1	965	0.82	84.0	7.1	1.9	2.9	0.0489	75
OM-GO 132M6	7.5	17.5	965	0.77	84.5	6.8	2.0	3.1	0.0512	79
OM-GO 160S6	11	23.4	970	0.82	87.0	6.3	1.9	2.8	0.1212	131
OM-GO 160M6	15	31.2	970	0.82	89.0	6.5	2.0	2.9	0.1421	147
OM-GO 180M6	18.5	38.5	970	0.83	88.0	6.5	2.3	2.8	0.2265	198
OM-GO 200M6	22	44.2	975	0.84	90.0	6.6	2.1	2.8	0.342	225
OM-GO 200L6	30	60.3	975	0.84	90.0	6.5	2.1	2.7	0.405	242
OM-GO 225M6	37	72.6	980	0.84	92.2	6.4	2.0	2.6	0.725	305
OM-GO 250S6	45	85.5	975	0.86	93.0	6.6	2.3	2.9	0.965	435
OM-GO 250M6	55	103.3	985	0.87	93.0	6.3	2.1	2.7	1.124	465
OM-GO 280S6	75	140.5	985	0.87	93.2	7.2	2.0	3.1	2.012	540
OM-GO 280M6	90	163.8	985	0.89	93.8	7.2	2.0	3.1	2.254	585
OM-GO 315S6	110	196.3	985	0.90	94.6	5.8	1.9	2.5	4.526	1110
OM-GO 315M6	132	234.6	985	0.90	95.0	6.0	1.9	2.5	5.157	1175

## OM-GO: 8 Pole –750 r/min

OM-GO 71K8	0.18	0.99	605	0.55	50.0	3.4	2.2	2.6	0.0013	16
OM-GO 71G8	0.25	1.27	625	0.58	51.5	3.5	2.3	2.7	0.0015	18
OM-GO 80K8	0.37	1.73	650	0.60	54.3	3.5	2.3	2.6	0.0039	20
OM-GO 80G8	0.55	2.4	650	0.62	55.6	3.6	2.5	3.0	0.0048	22
OM-GO 90L8	0.75	2.7	670	0.66	63.0	3.6	2.4	2.8	0.0042	28
OM-GO 100S8	1.5	4.65	690	0.69	71.0	4.5	2.3	2.8	0.0085	36
OM-GO 100L8	2.2	6.64	690	0.69	73.0	4.4	2.4	2.9	0.0094	39
OM-GO 112M8	2.2	6.55	690	0.68	75.0	4.5	2.2	2.9	0.00145	46
OM-GO 112MX8	3	8.71	690	0.68	77.0	4.8	2.3	3.0	0.00156	49
OM-GO 132S8	4	10.7	710	0.73	78.0	5.1	2.1	2.7	0.0415	72
OM-GO 132M8	5.5	14.1	705	0.74	80.0	5.2	2.2	2.8	0.0512	79
OM-GO 160S8	7.5	18.4	720	0.73	85.0	5.8	2.1	3.0	0.1229	128
OM-GO 160M8	11	25.6	720	0.75	87.0	5.6	2.1	2.5	0.1521	131
OM-GO 180S8	15	34.3	725	0.76	87.5	6.3	2.2	2.7	0.2365	176
OM-GO 180M8	18.5	42	725	0.76	88.0	6.5	2.3	2.8	0.2658	185
OM-GO 200M8	18.5	39.5	725	0.80	89.0	5.8	2.2	2.8	0.385	245
OM-GO 200L8	22	48.5	725	0.77	89.5	5.7	2.1	2.9	0.423	254
OM-GO 225M8	30	64.1	730	0.79	90.0	6.5	2.1	2.8	0.754	315
OM-GO 250S8	37	76.4	730	0.80	92.0	5.8	2.0	2.8	0.965	435
OM-GO 250M8	45	92.9	730	0.80	92.0	5.9	2.1	2.9	1.124	465
OM-GO 280S8	55	112.3	735	0.80	93.0	5.8	2.1	2.6	2.012	540
OM-GO 280M8	75	153.2	735	0.80	93.0	6.0	2.1	2.5	2.254	585
OM-GO 315S8	90	177	740	0.82	94.2	6.1	2.1	2.7	5.825	1071
OM-GO 315M8	110	222.3	740	0.80	94.0	5.8	1.9	2.6	6.753	1160

# TECHNICAL DATA OM-GO

B3

Frame	Pole	Mounting Dimensions(mm)										Outline Dimensions(mm)							
		A	B	C	D	E	F	G	H	K		AA	AB	AC	AD	HA	HD	BB	LD
71	2-8	112	90	45	19	40	6	15.5	71	7	32	145	140	/	8	200	150	70	285
80	2-8	125	100	50	22	50	6	18.5	80	10	35	160	160	145	10	225	166	75	355
90	2-8	140	125	56	24	50	8	20	90	10	36	180	180	155	12	245	185	75	390
100S	2-8	160	112	63	28	60	8	24	100	12	40	200	200	180	14	280	223	87	435
100L	2-8	160	140	63	28	60	8	24	100	12	40	200	200	180	14	280	223	87	435
112M	2-8	190	140	70	32	80	10	27	112	12	45	230	220	190	15	305	230	87	460
132S	4-8	216	140	89	38	80	10	33	132	12	55	265	260	220	18	355	225	112	550
132M	2-8	216	178	89	38	80	10	33	132	12	55	265	260	220	18	355	225	112	550
160S	2	254	178	108	42	110	12	37	160	15	65	315	315	265	18	425	304	146	660
	4-8	254	178	108	48	110	14	42.5	160	15	65	315	315	265	18	425	304	146	660
160M	2	254	210	108	42	110	12	37	160	15	65	300	315	265	20	405	318	146	696
	4-8	254	210	108	48	110	14	42.5	160	15	65	300	315	265	20	405	318	146	696
180S	2	279	203	121	48	110	14	42.5	180	15	70	350	360	280	22	460	315	161	700
	4	279	203	121	55	110	16	49	180	15	70	350	360	280	22	460	315	161	700
180M	2	279	241	121	48	110	14	42.5	180	15	70	350	360	280	22	460	350	161	740
	4-8	279	241	121	55	110	16	49	180	15	70	350	360	280	22	460	350	161	740
200M	2	318	267	133	55	110	16	49	200	19	70	390	400	310	25	510	370	186	765
	4-8	318	267	133	60	140	18	53	200	19	70	390	400	310	25	510	370	186	795
200L	2	318	305	133	55	110	16	49	200	19	70	390	400	310	25	510	370	186	815
	4-8	318	305	133	60	140	18	53	200	19	70	390	400	310	25	510	370	186	845
225M	2	356	311	149	55	110	16	49	225	19	75	435	450	335	28	555	395	189	815
	4-8	356	311	149	65	140	18	58	225	19	75	435	450	335	28	555	395	189	845
250S	2	406	311	168	65	140	18	58	250	24	80	485	485	375	30	625	445	207	915
	4-8	406	311	168	75	140	20	67.5	250	24	80	485	485	375	30	625	445	207	915
250M	2	406	349	168	65	140	18	58	250	24	80	485	485	375	30	625	445	207	990
	4-8	406	349	168	75	140	20	67.5	250	24	80	485	485	375	30	625	445	207	990
280S	2	457	368	190	70	140	20	62.5	280	24	85	545	550	405	35	685	540	215	1060
	4-8	457	368	190	80	170	22	71	280	24	85	545	550	405	35	685	540	215	1090
280M	2	457	419	190	70	140	20	62.5	280	24	85	545	550	405	35	685	515	215	1160
	4-8	457	419	190	80	170	22	71	280	24	85	545	550	405	35	685	515	215	1190
315S	2	508	406	216	75	140	20	67.5	315	28	120	630	625	530	45	845	680	257	1290
	4-8	508	406	216	90	170	25	81	315	28	120	630	625	530	45	845	680	257	1320
315M	2	508	457	216	75	140	20	67.5	315	28	120	630	625	530	45	845	680	257	1290
	4-8	508	457	216	90	170	25	81	315	28	120	630	625	530	45	845	680	257	1320

B35

Frame	Pole	Mounting Dimensions(mm)													Outline Dimensions(mm)											
		A	B	C	D	E	F	G	H	K	M	N	P	R	S	T	AA	AB	AC	AD	BB	HA	HD	LA	LD	L
71	2-8	112	90	45	19	40	6	15.5	71	7	165	130	200	0	4-Ø11	3.5	32	145	140	/	150	8	200	10	70	285
80	2-8	125	100	50	22	50	6	18.5	80	10	165	130	200	0	4-Ø11	3.5	35	160	160	145	166	10	225	12	75	355
90	2-8	140	125	56	24	50	8	20	90	10	215	180	250	0	4-Ø14	4	36	180	180	155	185	12	245	12	75	390
100S	2-8	160	112	63	28	60	8	24	100	12	215	180	250	0	4-Ø14	4	40	200	200	180	223	14	280	12	87	435
100L	2-8	160	140	63	28	60	8	24	100	12	215	180	250	0	4-Ø14	4	40	200	200	180	223	14	280	13	87	435
112M	2-8	190	140	70	32	80	10	27	112	12	215	230	300	0	4-Ø14	4	45	230	220	190	230	15	305	14	87	460
132S	4-8	216	140	89	38	80	10	33	132	12	300	250	350	0	4-Ø19	5	55	265	260	220	225	18	355	14	112	550
132M	2-8	216	178	89	38	80	10	33	132	12	300	250	350	0	4-Ø19	5	55	265	260	220	225	18	355	14	112	550
160S	2	254	178	108	42	110	12	37	160	15	300	250	350	0	4-Ø19	5	65	315	315	265	304	18	425	15	146	660
	4-8	254	178	108	48	110	14	42.5	160	15	300	250	350	0	4-Ø19	5	65	315	315	265	304	18	425	15	146	660
160M	2	254	210	108	42	110	12	37	160	15	300	250	350	0	4-Ø19	5	65	300	315	265	318	20	405	15	146	696
	4-8	254	210	108	48	110	14	42.5	160	15	300	250	350	0	4-Ø19	5	65	300	315	265	318	20	405	15	146	696
180S	2	279	203	121	48	110	14	42.5	180	15	350	300	400	0	4-Ø19	5	70	350	360	280	315	22	460	15	161	700
	4	279	203	121	55	110	16	49	180	15	350	300	400	0	4-Ø19	5	70	350	360	280	315	22	460	15	161	700
180M	2	279	241	121	48	110	14	42.5	180	15	350	300	400	0	4-Ø19	5	70	350	360	280	350	22	460	15	161	740
	4-8	279	241	121	55	110	16	49	180	15	350	300	400	0	4-Ø19	5	70	350	360	280	350	22	460	15	161	740
200M	2	318	267	133	55	110	16	49	200	19	400	350	450	0	8-Ø19	5	70	390	400	310	370	25	510	16	186	765
	4-8	318	267	133	60	140	18	53	200	19	400	350	450	0	8-Ø19	5	70	390	400	310	370	25	510	16	186	795
200L	2	318	305	133	55	110	16	49	200	19	400	350	450	0	8-Ø19	5	70	390	400	310	370	25	510	16	186	815
	4-8	318	305	133	60	140	18	53	200	19	400	350	450	0	8-Ø19	5	70	390	400	310	370	25	510	16	186	845
225M	2	356	311	149	55	110	16	49	225	19	500	450	550	0	8-Ø19	5	75	435	450	335	395	28	555	20	189	815
	4-8	356	311	149	65	140	18	58	225	19	500	450	550	0	8-Ø19	5	75	435	450	335	395	28	555	20	189	845
250S	2	406	311	168	65	140	18	58	250	24	500	450	550	0	8-Ø19	5	80	485	485	375	445	30	625	22	207	915
	4-8	406	311	168	75	140	20	67.5	250	24	500	450	550	0	8-Ø19	5	80	485	485	375	445	30	625	22	207	915
250M	2	406	349	168	65	140	18	58	250	24	500	450	550	0	8-Ø19	5	80	485	485	375	445	30	625	22	207	990
	4-8	406	349	168	75	140	20	67.5	250	24	500	450	550	0	8-Ø19	5	80	485	485	375	445	30	625	22	207	990
280S	2	457	368	190	70	140	20	62.5	280	24	600	550	660	0	8-Ø24	5	85	545	550	405	540	35	685	22	215	1060
	4-8	457	368	190	80	170	22	71	280	24	600	550	660	0	8-Ø24	5	85	545	550	405	540	35	685	22	215	1090
280M	2	457	419	190	70	140	20	62.5	280	24	600	550	660	0	8-Ø24	6	85	545	550	405	515	35	685	22	215	1160
	4-8	457	419	190	80	170	22	71	280	24	600	550	660	0	8-Ø24	6	85	545	550	405	515	35	685	22	215	1190
315S	2	508	406	216	75	140	20	67.5	315	28	600	550	660	0	8-											

# TECHNICAL DATA OM-GO

Frame	Pole	Mounting Dimensions(mm)										Outline Dimensions(mm)				
		D	E	F	G	M	N	P	R	S	T	AC	HD	LA	LD	L
71	2-8	19	40	6	15.5	165	130	200	0	4-Φ11	3.5	140	200	10	70	285
80	2-8	22	50	6	18.5	165	130	200	0	4-Φ11	3.5	160	225	12	75	355
90	2-8	24	50	8	20	215	180	250	0	4-Φ14	4	180	245	12	75	390
100S	2-8	28	60	8	24	215	180	250	0	4-Φ14	4	200	280	12	87	435
100L	2-8	28	60	8	24	215	180	250	0	4-Φ14	4	200	280	13	87	435
112M	2-8	32	80	10	27	215	230	300	0	4-Φ14	4	220	305	14	87	460
132S	4-8	38	80	10	33	300	250	350	0	4-Φ19	5	260	355	14	112	550
132M	2-8	38	80	10	33	300	250	350	0	4-Φ19	5	260	355	14	112	550
160S	2	42	110	12	37	300	250	350	0	4-Φ19	5	315	425	15	146	660
	4-8	48	110	14	42.5	300	250	350	0	4-Φ19	5	315	425	15	146	660
160M	2	42	110	12	37	300	250	350	0	4-Φ19	5	315	405	15	146	696
	4-8	48	110	14	42.5	300	250	350	0	4-Φ19	5	315	405	15	146	696
180S	2	48	110	14	42.5	350	300	400	0	4-Φ19	5	360	460	15	161	700
	4	55	110	16	49	350	300	400	0	4-Φ19	5	360	460	15	161	700
180M	2	48	110	14	42.5	350	300	400	0	4-Φ19	5	360	460	15	161	740
	4-8	55	110	16	49	350	300	400	0	4-Φ19	5	360	460	15	161	740
200M	2	55	110	16	49	400	350	450	0	8-Φ19	5	400	510	16	186	765
	4-8	60	140	18	53	400	350	450	0	8-Φ19	5	400	510	16	186	795
200L	2	55	110	16	49	400	350	450	0	8-Φ19	5	400	510	16	186	815
	4-8	60	140	18	53	400	350	450	0	8-Φ19	5	400	510	16	186	845
225M	2	55	110	16	49	500	450	550	0	8-Φ19	5	450	555	20	189	815
	4-8	65	140	18	58	500	450	550	0	8-Φ19	5	450	555	20	189	845
250S	2	65	140	18	58	500	450	550	0	8-Φ19	5	485	625	22	207	915
	4-8	75	140	20	67.5	500	450	550	0	8-Φ19	5	485	625	22	207	915
250M	2	65	140	18	58	500	450	550	0	8-Φ19	5	485	625	22	207	990
	4-8	75	140	20	67.5	500	450	550	0	8-Φ19	5	485	625	22	207	990
280S	2	70	140	20	62.5	600	550	660	0	8-Φ24	5	550	685	22	215	1060
	4-8	80	170	22	71	600	550	660	0	8-Φ24	5	550	685	22	215	1090
280M	2	70	140	20	62.5	600	550	660	0	8-Φ24	6	550	685	22	215	1160
	4-8	80	170	22	71	600	550	660	0	8-Φ24	6	550	685	22	215	1190
315S	2	75	140	20	67.5	600	550	660	0	8-Φ24	6	625	845	25	257	1290
	4-8	90	170	25	81	600	550	660	0	8-Φ24	6	625	845	25	257	1320
315M	2	75	140	20	67.5	600	550	660	0	8-Φ24	6	625	845	25	257	1290
	4-8	90	170	25	81	600	550	660	0	8-Φ24	6	625	845	25	257	1320

Frame	Pole	Mounting Dimensions(mm)										Outline Dimensions(mm)					
		D	E	F	G	H	M	N	P	R	S	T	AC	HD	LA	LD	L
71	2-8	19	40	6	15.5	71	165	130	200	0	4-Φ11	3.5	140	200	10	70	285
80	2-8	22	50	6	18.5	80	165	130	200	0	4-Φ11	3.5	160	225	12	75	355
90	2-8	24	50	8	20	90	215	180	250	0	4-Φ14	4	180	245	12	75	390
100S	2-8	28	60	8	24	100	215	180	250	0	4-Φ14	4	200	280	12	87	435
100L	2-8	28	60	8	24	100	215	180	250	0	4-Φ14	4	200	280	13	87	435
112M	2-8	32	80	10	27	112	215	230	300	0	4-Φ14	4	220	305	14	87	460
132S	4-8	38	80	10	33	132	300	250	350	0	4-Φ19	5	260	355	14	112	550
132M	2-8	38	80	10	33	132	300	250	350	0	4-Φ19	5	260	355	14	112	550
160S	2	42	110	12	37	160	300	250	350	0	4-Φ19	5	315	425	15	146	660
	4-8	48	110	14	42.5	160	300	250	350	0	4-Φ19	5	315	425	15	146	660
160M	2	42	110	12	37	160	300	250	350	0	4-Φ19	5	315	405	15	146	696
	4-8	48	110	14	42.5	160	300	250	350	0	4-Φ19	5	315	405	15	146	696
180S	2	48	110	14	42.5	180	350	300	400	0	4-Φ19	5	360	460	15	161	700
	4	55	110	16	49	180	350	300	400	0	4-Φ19	5	360	460	15	161	700
180M	2	48	110	14	42.5	180	350	300	400	0	4-Φ19	5	360	460	15	161	740
	4-8	55	110	16	49	180	350	300	400	0	4-Φ19	5	360	460	15	161	740
200M	2	55	110	16	49	200	400	350	450	0	8-Φ19	5	400	510	16	186	765
	4-8	60	140	18	53	200	400	350	450	0	8-Φ19	5	400	510	16	186	795
200L	2	55	110	16	49	200	400	350	450	0	8-Φ19	5	400	510	16	186	815
	4-8	60	140	18	53	200	400	350	450	0	8-Φ19	5	400	510	16	186	845
225M	2	55	110	16	49	225	500	450	550	0	8-Φ19	5	450	555	20	189	815
	4-8	65	140	18	58	225	500	450	550	0	8-Φ19	5	450	555	20	189	845
250S	2	65	140	18	58	250	500	450	550	0	8-Φ19	5	485	625	22	207	915
	4-8	75	140	20	67.5	250	500	450	550	0	8-Φ19	5	485	625	22	207	915
250M	2	65	140	18	58	250	500	450	550	0	8-Φ19	5	485	625	22	207	990
	4-8	75	140	20	67.5	250	500	450	550	0	8-Φ19	5	485	625	22	207	990
280S	2	70	140	20	62.5	280	600	550	660	0	8-Φ24	5	550	685	22	215	1060
	4-8	80	170	22	71	280	600	550	660	0	8-Φ24	5	550	685	22	215	1090
280M	2	70	140	20	62.5	280	600	550	660	0	8-Φ24	6	550	685	22	215	1160
	4-8	80	170	22	71	280	600	550	660	0	8-Φ24	6	550	685	22	215	1190
315S	2	75	140	20	67.5	315	600	550	660	0	8-Φ24	6	625	845	25	257	1290
	4-8	90	170	25	81	315	600	550	660	0	8-Φ24	6	625	845	25	257	1320
315M	2	75	140	20	67.5	315	600	550	660	0	8-Φ24	6	625	845	25	257	1290
	4-8	90	170	25	81	315	600	550	660	0	8-Φ24	6	625	845	25	257	1320

# TECHNICAL DATA OM-GO

B34(A)

Frame	Pole	Mounting Dimensions(mm)															Outline Dimensions(mm)							
		A	B	C	D	E	F	G	H	K	M	N	P	R	S	T	AA	AB	AC	BB	HA	HD	LD	L
71	2.4.6.8	112	90	45	19	40	6	15.5	71	7	115	95	140	0	4-M6	2.5	32	145	140	150	8	200	70	285
80	2.4.6.8	125	100	50	22	50	6	18.5	80	10	100	80	120	0	4-M6	3	35	160	160	166	10	225	75	355
90	2.4.6.8	140	125	56	24	50	8	20	90	10	115	95	140	0	4-M8	3	36	180	180	185	12	245	75	390
100S	2.4.6.8	160	112	63	28	60	8	24	100	12	130	110	160	0	4-M8	3.5	40	200	200	223	14	280	87	435
100L	2.4.6.8	160	140	63	28	60	8	24	100	12	130	110	160	0	4-M8	3.5	40	200	200	223	14	280	87	435
112M	2.4.6.8	190	140	70	32	80	10	27	112	12	130	110	160	0	4-M8	3.5	45	230	220	230	15	305	87	460
132S	2.4.6.8	216	140	89	38	80	10	33	132	12	130	110	160	0	4-M8	4	55	265	260	225	18	355	112	550
132M	2.4.6.8	216	178	89	38	80	10	33	132	12	130	110	160	0	4-M8	4	55	265	260	225	18	355	112	550

B34(B)

Frame	Pole	Mounting Dimensions(mm)															Outline Dimensions(mm)							
		A	B	C	D	E	F	G	H	K	M	N	P	R	S	T	AA	AB	AC	BB	HA	HD	LD	L
71	2.4.6.8	112	90	45	19	40	6	15.5	71	7	115	95	140	0	4-M8	3	32	145	140	150	8	200	70	285
80	2.4.6.8	125	100	50	22	50	6	18.5	80	10	130	110	160	0	4-M8	3.5	35	160	160	166	10	225	75	355
90	2.4.6.8	140	125	56	24	50	8	20	90	10	130	110	160	0	4-M8	3.5	36	180	180	185	12	245	75	390
100S	2.4.6.8	160	112	63	28	60	8	24	100	12	165	130	200	0	4-M10	3.5	40	200	200	223	14	280	87	435
100L	2.4.6.8	160	140	63	28	60	8	24	100	12	165	130	200	0	4-M10	3.5	40	200	200	223	14	280	87	435
112M	2.4.6.8	190	140	70	32	80	10	27	112	12	165	130	200	0	4-M10	3.5	45	230	220	230	15	305	87	460
132S	2.4.6.8	216	140	89	38	80	10	33	132	12	150	120	180	0	4-M12	5	55	265	260	225	18	355	112	550
132M	2.4.6.8	216	178	89	38	80	10	33	132	12	150	120	180	0	4-M12	5	55	265	260	225	18	355	112	550

B14(A)

Frame	Pole	Mounting Dimensions(mm)											Outline Dimensions(mm)			
		D	E	F	G	M	N	P	R	S	T	AC	HD	LD	L	
71	2.4.6.8	19	40	6	15.5	85	70	105	0	4-M6	2.5	140	200	70	285	
80	2.4.6.8	22	50	6	18.5	100	80	120	0	4-M6	3	160	225	75	355	
90	2.4.6.8	24	50	8	20	115	95	140	0	4-M8	3	180	245	75	390	
100S	2.4.6.8	28	60	8	24	130	110	160	0	4-M8	3.5	200	280	87	435	
100L	2.4.6.8	28	60	8	24	130	110	160	0	4-M8	3.5	200	280	87	435	
112M	2.4.6.8	32	80	10	27	130	110	160	0	4-M8	3.5	220	305	87	460	
132S	2.4.6.8	38	80	10	33	130	110	160	0	4-M8	4	260	355	112	550	
132M	2.4.6.8	38	80	10	33	130	110	160	0	4-M8	4	260	355	112	550	

B14(B)

Frame	Pole	Mounting Dimensions(mm)											Outline Dimensions(mm)			
		D	E	F	G	M	N	P	R	S	T	AC	HD	LD	L	
71	2.4.6.8	19	40	6	15.5	115	95	140	0	4-M8	3	140	200	70	285	
80	2.4.6.8	22	50	6	18.5	130	110	160	0	4-M8	3.5	160	225	75	355	
90	2.4.6.8	24	50	8	20	130	110	160	0	4-M8	3.5	180	245	75	390	
100S	2.4.6.8	28	60	8	24	165	130	200	0	4-M10	3.5	200	280	87	435	
100L	2.4.6.8	28	60	8	24	165	130	200	0	4-M10	3.5	200	280	87	435	
112M	2.4.6.8	32	80	10	27	165	130	200	0	4-M10	3.5	220	305	87	460	
132S	2.4.6.8	38	80	10	33	150	120	180	0	4-M12	5	260	355	112	550	
132M	2.4.6.8	38	80	10	33	150	120	180	0	4-M12	5	260	355	112	550	

# OMT-ODP

Series. Three phase  
Asynchronous  
Motors - Open Proof

OMT-ODP cast iron open proof  
Motor complies with IE1, IE2  
and IE3 standards. Protection  
class IP23. Insulation class  
F Output range from 11 to  
710KW. Frame size 160 to 355



# TECHNICAL DATA OMT-ODP

ODP

Motor Type	Rated Power	Current 380 V	Rated Speed	Power Factor	Efficiency	Locked Current Rated Current	Locked Torque Rated Torque	Maximum Torque Rated Torque	Moment Of Inertia	Weight
	P <sub>N</sub> kW	I <sub>N</sub> A	n <sub>N</sub> r/min	COSφ	η %	I <sub>S</sub> /I <sub>N</sub>	M <sub>S</sub> /M <sub>N</sub>	M <sub>M</sub> /M <sub>N</sub>	J= $\frac{1}{4}GD^2$ kgm <sup>2</sup>	kg

## OMT-ODP : 2 Pole -3000 r/min

OM-ODP 160M2	15	29.3	2920	0.87	89.4	7.0	2.0	2.3	0.067	132
OM-ODP 160L2	18.5	35.9	2920	0.87	90.0	7.5	2.1	2.5	0.068	141
OM-ODP 160LX2	22	42	2920	0.88	90.5	7.9	2.1	2.5	0.070	152
OM-ODP 180M2	30	57.6	2940	0.88	90.0	7.0	2.2	2.8	0.125	210
OM-ODP 180L2	37	69.4	2940	0.89	91.0	7.0	2.2	2.8	0.135	222
OM-ODP 200M2	45	85	2940	0.88	91.3	7.0	2.1	2.7	0.200	285
OM-ODP 200L2	55	104	2940	0.88	91.5	7.0	2.1	2.7	0.220	297
OM-ODP 225M2	75	140	2950	0.89	91.8	7.5	2.1	2.8	0.300	367
OM-ODP 250S2	90	163	2960	0.89	93.5	7.8	2.1	3.0	0.570	507
OM-ODP 250M2	110	197	2965	0.89	93.8	7.8	2.1	3.0	0.670	543
OM-ODP 280M2	132	244	2965	0.89	93.9	7.5	2.2	3.0	0.793	700
OM-ODP 315S2 ( A )	160	294	2970	0.88	94.0	6.5	1.6	2.8	1.592	942
OM-ODP 315M2 ( A )	200	362	2965	0.89	94.2	7.2	1.6	2.8	1.751	970
OM-ODP 315LA2 ( A )	250	452	2965	0.89	94.4	7.2	1.6	2.8	1.935	1035
OM-ODP 315LB2 ( A )	280	500	2970	0.90	94.5	7.0	1.8	2.8	2.177	1084
OM-ODP 315LX2 ( A )	315	560	2970	0.90	95.0	7.0	1.9	3.0	2.503	1180
OM-ODP 315LY2 ( B )	355	628	2970	0.90	95.5	7.0	1.5	2.1	2.629	1286
OM-ODP 315LZA2 ( B )	400	705	2970	0.90	95.8	7.0	1.8	3.0	2.997	1350
OM-ODP 315LZB2 ( B )	450	791	2970	0.90	96.0	7.0	1.5	2.1	3.145	1420
OM-ODP 355M2	500	877	2990	0.90	96.2	6.5	1.3	2.7	4.500	1620
OM-ODP 355MX2	560	980	2980	0.90	96.4	6.5	1.3	2.7	5.000	1760
OM-ODP 355L2	630	1102	2990	0.90	96.5	6.5	1.3	2.7	5.340	1855
OM-ODP 355LX2	710	1240	2975	0.90	96.6	6.5	1.3	2.7	5.340	1880

## OMT-ODP : 4 Pole -1500 r/min

OM-ODP 160M4	11	24	1430	0.80	87	6.5	2.0	2.3	0.122	140
OM-ODP 160L4	15	31.2	1430	0.83	88.0	6.5	2.0	2.5	0.128	142
OM-ODP 160LX4	18.5	37.6	1460	0.83	90.0	6.5	2.0	2.5	0.13	154
OM-ODP 180M4	22	41.7	1460	0.88	91.2	7.5	2.7	3.2	0.224	206
OM-ODP 180L4	30	56.6	1460	0.88	91.6	7.5	2.7	3.2	0.266	226
OM-ODP 200M4	37	71.1	1460	0.86	92.0	6.5	2.1	2.6	0.42	297
OM-ODP 200L4	45	86.2	1465	0.86	92.3	6.5	2.1	2.6	0.52	311
OM-ODP 225M4	55	104	1470	0.87	92.5	7.2	2.1	2.8	0.61	389
OM-ODP 250S4	75	139	1475	0.88	93.0	7.2	2.2	3.0	1.14	524
OM-ODP 250M4	90	165	1475	0.89	93.2	7.5	2.2	3.0	1.33	551
OM-ODP 280S4	110	210	1480	0.89	93.5	7.4	2.1	3.2	1.764	735
OM-ODP 280M4	132	251	1480	0.89	93.7	7.0	2.1	3.0	3.212	742
OM-ODP 315S4 ( A )	160	301	1480	0.86	94.0	6.2	1.7	2.5	3.074	968
OM-ODP 315M4 ( A )	200	374	1480	0.86	94.5	6.2	1.7	2.5	3.744	1064
OM-ODP 315LA4 ( A )	250	466	1480	0.86	94.8	6.2	1.7	2.5	4.481	1165
OM-ODP 315LB4 ( A )	280	521	1480	0.86	95.0	6.0	1.6	2.4	4.861	1205
OM-ODP 315LX4 ( B )	315	578	1485	0.87	95.2	6.5	1.8	2.6	5.126	1364
OM-ODP 315LY4 ( B )	355	650	1485	0.87	95.5	7.0	1.9	2.8	6.09	1498
OM-ODP 315LZB4 ( B )	400	731	1485	0.87	95.6	6.7	1.6	2.4	6.211	1506
OM-ODP 355S4	315	618	988	0.82	94.5	5.0	1.5	1.9	7.91	1620
OM-ODP 355M4	500	910	1485	0.87	96.0	6.0	1.4	2.3	9.17	1790
OM-ODP 355MX4	560	1018	1485	0.87	96.1	6.0	1.4	2.3	10.49	1945
OM-ODP 355L4	630	1144	1485	0.87	96.2	6.5	1.6	2.5	12.08	2095
OM-ODP 355LX4	710	1287	1485	0.87	96.3	6.5	1.6	2.5	14.21	2130



# TECHNICAL DATA OMT-ODP

ODP

Motor Type	Rated Power	Current 380 V	Rated Speed	Power Factor	Efficiency	Locked Current / Rated Current	Locked Torque / Rated Torque	Maximum Torque / Rated Torque	Moment Of Inertia	Weight
	$P_N$ kW	$I_N$ A	$n_N$ r/min	$\cos\phi$	$\eta$ %	$I_S/I_N$	$M_S/M_N$	$M_M/M_N$	$J = \frac{1}{4}GD^2$ kg m <sup>2</sup>	kg

## OMT-ODP : 6 Pole -1000 r/min

OM-ODP 160L6	11	24.7	975	0.77	88.0	6.0	1.8	2.5	0.162	141
OM-ODP 180M6	15	31.9	975	0.81	88.0	6.0	2.3	2.8	0.231	198
OM-ODP 180L6	18.5	38.5	975	0.82	89.0	6.0	2.3	2.8	0.256	212
OM-ODP 200M6	22	45.3	980	0.82	90.0	6.5	2.1	2.7	0.342	262
OM-ODP 200L6	30	61.1	980	0.82	91.0	6.5	2.1	2.7	0.402	279
OM-ODP 225M6	37	72.4	980	0.85	91.4	6.5	2.1	2.7	0.632	343
OM-ODP 250S6	45	89.1	985	0.84	91.6	6.5	2.2	2.8	0.834	473
OM-ODP 250M6	55	109	985	0.84	92.0	6.5	2.2	2.8	0.894	490
OM-ODP 280S6	75	152	985	0.83	92.0	6.0	1.8	2.5	1.421	675
OM-ODP 280M6	90	176	985	0.83	92.5	6.0	1.8	2.5	1.853	745
OM-ODP 315S6(A)	110	223	988	0.80	93.5	5.5	1.6	2.4	3.378	925
OM-ODP 315M6(A)	132	267	988	0.80	93.8	5.5	1.7	2.4	3.961	965
OM-ODP 315MX6(A)	160	319	988	0.81	94.0	6.0	1.8	2.5	4.804	1083
OM-ODP 315LA6(A)	180	358.0	988	0.81	94.2	6.0	1.8	2.5	5.187	1127
OM-ODP 315LB6(A)	200	392	988	0.82	94.5	6.0	1.8	2.5	5.727	1165
OM-ODP 315LX6(B)	225	435	988	0.83	94.8	6.0	1.8	2.5	6.309	1335
OM-ODP 315LY6(B)	250	482	988	0.83	95.0	6.0	1.9	2.5	7.022	1371
OM-ODP 315LZB6(B)	280	538	988	0.83	95.2	6.0	1.9	2.5	7.888	1462
OM-ODP 355M6	355	692	988	0.82	95.0	5.3	1.6	2.0	9.33	1730
OM-ODP 355MX6	400	779	988	0.82	95.2	5.5	1.6	2.0	9.95	1850
OM-ODP 355L6	450	873	988	0.82	95.5	5.5	1.6	2.0	10.74	1925
OM-ODP 355LX6	500	967	988	0.82	95.8	6.0	1.7	2.2	12.25	2075

## OMT-ODP : 8 Pole -750 r/min

OM-ODP 180M8	11	26.2	715	0.76	84.0	4.5	1.8	2.5	0.22	185
OM-ODP 180L8	15	35	715	0.77	84.5	4.5	1.9	2.6	0.26	200
OM-ODP 200M8	18.5	43.2	720	0.77	84.5	5.1	2.0	2.6	0.34	240
OM-ODP 200L8	12	50.5	720	0.77	86.0	5.2	2.1	2.8	0.37	260
OM-ODP 225M8	30	67.3	725	0.77	88.0	5.2	2.1	2.7	0.64	355
OM-ODP 250S8	37	82.9	730	0.77	88.1	5.5	2.1	2.6	0.85	420
OM-ODP 250M8	45	101	730	0.77	88.3	5.5	2.2	2.7	0.92	440
OM-ODP 280S8	55	118	730	0.78	90.5	5.7	2.1	2.8	1.421	675
OM-ODP 280M8	75	163	730	0.77	90.7	5.9	2.1	2.9	1.853	745
OM-ODP 315S8 ( A )	90	188	735	0.79	92.0	5.6	1.5	2.3	3.956	955
OM-ODP 315M8 ( A )	110	226	735	0.80	92.5	5.7	1.4	2.3	5.125	1120
OM-ODP 315MX8 ( A )	132	267	735	0.81	92.8	5.2	1.6	2.3	5.983	1250
OM-ODP 315L8 ( B )	160	323	735	0.81	93.0	5.8	1.6	2.4	6.865	1385
OM-ODP 315LX8 ( B )	200	396	735	0.82	93.5	5.3	1.3	2.2	7.895	1420
OM-ODP 315LY8 ( B )	225	445	735	0.82	93.7	5.9	1.5	2.5	8.354	1465

# TECHNICAL DATA OMT-ODP

B3

Frame	Pole	Mounting Dimensions(mm)											Outline Dimensions(mm)							
		A	B1	B2	B3	C	D	E	F	G	H	K	AB	AC	HD	BB	LD	HA	AA	L
160M,L	2.4.6.8	254	210	254	/	108	48	110	14	42.5	160	14	294	305	440	306	191	24	45	645
180M,L	2.4.6.8	279	241	279	/	121	55	110	16	49	180	15	350	380	490	335	279	30	65	760
200M,L	2.4.6.8	318	267	305	/	133	60	140	18	53	200	19	392	445	550	375	287	30	70	800
225M	2	356	311	/	/	149	60	140	18	53	225	19	445	475	630	390	318	35	75	890
	4.6.8	356	311	/	/	149	65	140	18	58	225	19	445	475	630	390	318	35	75	890
250S,M	2	406	311	349	/	168	65	140	18	58	250	24	492	520	730	425	332	40	85	960
	4.6.8	406	311	349	/	168	75	140	20	67.5	250	24	492	520	730	425	332	40	85	960
280S,M	2	457	368	419	/	190	65	140	18	58	280	24	555	585	785	490	370	45	95	1056
	4.6.8	457	368	419	/	190	80	170	22	71	280	24	555	585	785	490	370	45	95	1086
315(A)	2	508	406	457	508	216	70	140	20	62.5	315	28	620	665	950	615	473	50	112	1260
	4.6.8	508	406	457	508	216	90	170	25	87	315	28	620	665	950	615	473	50	112	1295
315(B)	2	508	457	508	560	216	80	140	22	71	315	28	620	665	950	705	473	50	112	1455
	4.6.8	508	457	508	560	216	90	170	25	81	315	28	620	665	950	705	473	50	112	1490
355M,L	2	610	500	560	630	254	80	170	22	71	355	28	740	768	1090	850	566	50	120	1760
	4.6.8	610	560	560	630	254	100	210	28	90	355	28	740	768	1090	850	566	50	120	1800

B35

Frame	Pole	Mounting Dimensions(mm)														Outline Dimensions(mm)									
		A	B1	B2	B3	C	D	E	F	G	H	K	M	N	P	R	S	T	AB	AC	BB	HD	LA	LD	L
160M,L	2.4.6.8	254	210	254	/	108	48	110	14	42.5	160	14	300	250	350	0	4-φ19	5	294	305	306	440	15	191	645
180M,L	2.4.6.8	279	241	279	/	121	55	110	16	49	180	15	350	300	400	0	4-φ19	5	350	380	335	490	15	279	760
200M,L	2.4.6.8	318	267	305	/	133	60	140	18	53	200	19	400	350	450	0	8-φ19	5	392	445	375	550	16	287	800
225M	2	356	311	/	/	149	60	140	18	53	225	19	500	450	550	0	8-φ19	5	445	475	390	630	18	318	890
	4.6.8	356	311	/	/	149	65	140	18	58	225	19	500	450	550	0	8-φ19	5	445	475	390	630	18	318	890
250S,M	2	406	311	349	/	168	65	140	18	58	250	24	600	550	660	0	8-φ24	6	492	520	425	730	22	332	960
	4.6.8	406	311	349	/	168	75	140	20	67.5	250	24	600	550	660	0	8-φ24	6	492	520	425	730	22	332	960
280S,M	2	457	368	419	/	190	65	140	18	58	280	24	600	550	660	0	8-φ24	6	555	585	490	785	22	370	1056
	4.6.8	457	368	419	/	190	80	170	22	71	280	24	600	550	660	0	8-φ24	6	555	585	490	785	22	370	1086
315(A)	2	508	406	457	508	216	70	140	20	62.5	315	28	740	680	800	0	8-φ24	6	620	665	615	950	25	473	1260
	4.6.8	508	406	457	508	216	90	170	25	87	315	28	740	680	800	0	8-φ24	6	620	665	615	950	25	473	1295
315(B)	2	508	457	508	560	216	80	140	22	71	315	28	740	680	800	0	8-φ24	6	620	665	705	950	25	473	1455
	4.6.8	508	457	508	560	216	90	170	25	81	315	28	740	680	800	0	8-φ24	6	620	665	705	950	25	473	1490
355M,L	2	610	500	560	630	254	80	170	22	71	355	28	940	880	1000	0	8-φ24	6	740	768	850	1090	28	566	1760
	4.6.8	610	560	560	630	254	100	210	28	90	355	28	940	880	1000	0	8-φ24	6	740	768	850	1090	28	566	1800

V1

Frame	Pole	Mounting Dimensions(mm)											Outline Dimensions(mm)					
		D	E	F	G	H	M	N	P	R	S	T	AC	HD	LA	LD	L	
160M,L	2.4.6.8	48	110	14	42.5	160	300	250	350	0	4-φ19	5	305	440	15	191	645	
180M,L	2.4.6.8	55	110	16	49	180	350	300	400	0	4-φ19	5	380	490	15	279	760	
200M,L	2.4.6.8	60	140	18	53	200	400	350	450	0	8-φ19	5	445	550	16	287	800	
225M	2	60	140	18	53	225	500	450	550	0	8-φ19	5	475	630	18	318	890	
	4.6.8	65	140	18	58	225	500	450	550	0	8-φ19	5	475	630	18	318	890	
250S,M	2	65	140	18	58	250	600	550	660	0	8-φ24	6	520	730	22	332	960	
	4.6.8	75	140	20	67.5	250	600	550	660	0	8-φ24	6	520	730	22	332	960	
280S,M	2	65	140	18	58	280	600	550	660	0	8-φ24	6	585	785	22	370	1056	
	4.6.8	80	170	22	71	280	600	550	660	0	8-φ24	6	585	785	22	370	1086	
315(A)	2	70	140	20	62.5	315	740	680	800	0	8-φ24	6	665	950	25	473	1260	
	4.6.8	90	170	25	87	315	740	680	800	0	8-φ24	6	665	950	25	473	1295	
315(B)	2	80	140	22	71	315	740	680	800	0	8-φ24	6	665	950	25	473	1455	
	4.6.8	90	170	25	81	315	740	680	800	0	8-φ24	6	665	950	25	473	1490	
355M,L	2	80	170	22	71	355	940	880	1000	0	8-φ24	6	768	1090	28	566	1760	
	4.6.8	100	210	28	90	355	940	880	1000	0	8-φ24	6	768	1090	28	566	1800	

## MEMBERS OF THE PEJA GROUP:



**PEJA PRODUCTEN B.V.**  
A PEJA COMPANY

Van Oldenbarneveldtstraat 85a, NL-6828 ZN Arnhem  
P.O.Box 5524, NL-6802 EM Arnhem, the Netherlands  
general telephone number: +31 (0) 26 3568111  
info@pejaproducten.nl



**PEJA IMMOBILIEN GMBH**  
A PEJA COMPANY

Peter - Cornelius - Strasse 14  
D - 17033 Neubrandenburg, Deutschland  
general telephone number: +49 (0) 395 5668875

PEJA BRAVO GMBH VERMÖGENSVERWALTUNG  
PEJA KALTENHOF GMBH  
PEJA VOGELSANG GMBH  
PEJA ZEHLENDORF GMBH  
Neubrandenburg - Germany



**PEJA VASTGOED B.V.**  
A PEJA COMPANY

Van Oldenbarneveldtstraat 85a, NL-6828 ZN Arnhem  
P.O.Box 5524, NL-6802 EM Arnhem, the Netherlands  
general telephone number: +31 (0) 26 3568112  
info@pejavastgoed.nl



**HEAD QUARTERS AND WAREHOUSE**  
Broekstraat 32, NL-6828 PZ Arnhem, the Netherlands  
P.O.Box 2203, NL-6802 CE Arnhem, the Netherlands  
general telephone number: +31 (0) 26 2030200  
info@omecmotors.com

**OFFICE, SPAIN**  
Calle Rio Essera 3  
ES- 08759 Vallirana - Barcelona  
tel: +34 (0) 936 848339

**WAREHOUSE, SPAIN**  
Calle 26, No 239  
ES- 46470 Catarroja-Valencia  
tel: +34 96 126 0845

**OFFICE, POLAND**  
Chojęcin-Parcele  
63-640 Bralin  
tel: +48 693 464821

**OFFICE, FRANCE**  
10, Rue Jean Cocteau  
F-95130 Franconville  
tel: +33 (0) 134 130236



**HEAD QUARTERS AND WAREHOUSE**  
Broekstraat 32, NL-6828 PZ Arnhem, the Netherlands  
P.O.Box 2199, NL-6802 CD Arnhem, the Netherlands  
general telephone number: +31 (0) 26 2030200  
info@simotop.com

**OFFICE AND WAREHOUSE, GERMANY**  
Am Indriegelände 9a  
D-19288 Ludwigslust  
tel: +49 (0) 151 46424179

**OFFICE, GERMANY**  
Im Meerfeld 88  
D-47445 Moers-Repelen  
tel: +49 2841 9993445

**EMS Elektro Motory Slovensko s.r.o.**  
Laurinská 10  
SK-811 01 Bratislava  
Tel. +421 901 705 233



**READING HEAD OFFICE**  
7 Cradock Road, Reading, Berkshire,  
RG2 0LB, United Kingdom  
general telephone number: +44 (0) 845 408 4699  
info@taylorgoodman.co.uk

**BIRMINGHAM**  
Breener Industrial Estate  
Station Drive, Brierley Hill, West Midlands  
DY5 3JZ, United Kingdom

**BISHOP'S STORTFORD**  
Raynham Road, Bishop's Stortford, Herts  
CM23 5PF, United Kingdom

**CLEVELAND**  
Unit 27, Cannon Park Way  
Cannon Park Industrial Estate, Middlesbrough, Cleveland  
TS1 5JP, United Kingdom

**EASTBOURNE**  
3 Faraday Close, Hampden Park Trading Estate, Eastbourne  
BN22 9AB, United Kingdom



达奇电机 / DM Motors Company Ltd.  
Room 13H, Qianjiang Mansion  
971 Dongfang Road  
Shanghai, China  
邮编 / 200122  
固定电话 / Phone: (+86) 21- 51188221



NO.84 Luzhong North Road, YANGSHAN Town,  
HUIZHAN District, WUXI City  
JIANGSU Province, CHINA  
tel: + (86) 510-83052852



200 PrincetonSouth Corporate Center, Suite 100, Ewing,  
New Jersey 08628  
general telephone number: +1.609.493.2210  
ahaines@ppp-us.com



van Oldenbarneveldtstraat 85a,  
P.O.Box 5524, 6802 EM Arnhem, the Netherlands  
general telephone number: +31 (0) 26 3568113  
info@hooperinternational.nl



333 E. 79th Street, Suite 1W  
New York, NY 10075  
tel: +1.646.410.2255



Rosendaal Makelaars B.V.  
Stadsplein 75, NL-7041 JE, 'S-Heerenberg  
the Netherlands  
general telephone number: +31 (0) 314 668844



HQ and warehouses  
the Netherlands  
Broekstraat 32  
NL- 6828 PZ Arnhem  
tel: +31 (0) 26 20 30 200



[www.omecmotors.com](http://www.omecmotors.com)

Office and warehouse, Germany  
Am Industriegelände 9a  
D-19288 Ludwigslust  
tel: +49 (0) 3874 620 24 73

Office, Germany  
Im Meerfeld 88  
D-47445 Moers  
tel: +49 (0) 2841 999 3445

Office, Poland  
Chojećin-Parcele  
63-640 Bralin  
tel: +48 693 464 821

Office, Spain  
Calle Rio Essera 3  
ES-08759 Vallirana-Barcelona  
tel: +34 (0) 936 848 339

Office, France  
10 Rue Jean Cocteau  
F-95130 Franconville-Paris  
tel: +33 (0) 134 130 236

Warehouse, Spain  
Pol. Ind. Catarroja  
Calle 26, no 236  
ES- 46470 Catarroja-Valencia  
tel: +34 96 126 0845

Office, Slovakia  
EMS s.r.o.  
Dunajska 52  
SK-811 08 Bratislava  
tel: 421 (0) 901 705233