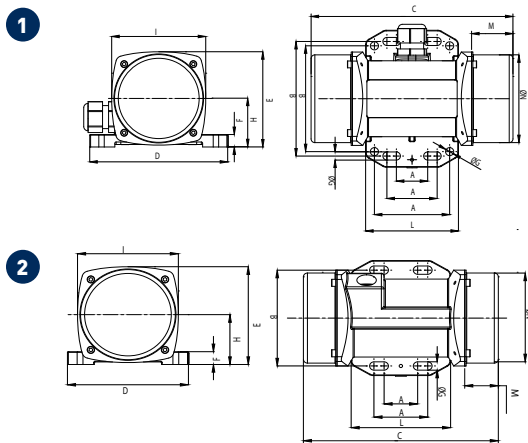




# MICRO - Motovibratori elettrici - 2 poli monofase o trifase



Modello		Dis.	C		M		A		B		Ø G		Fori	D		E		F		H		I		L		N		SCREW		
50 / 60 Hz	60 Hz USA code		mm	in	mm	in	mm	in	mm	in	mm	in		n°	mm	in	mm	in	mm	in	mm	in	mm	in	mm	in	mm	in	mm	in
MVE 3/3 M	MVE .0003.36.115	1	145	5.7	25	1.0	25-40 60	1-1.6 2.4	92 85	3.6 3.3	6.5 6.5	0.3 0.3	4	110	4.3	76.5	3.0	10	0.4	39	1.5	75	3.0	74	2.9	70.5	2.8	M5	3/16"	
MVE 6/3 M	MVE .0006.36.115	2	145	5.7	25	1.0	25-40 /	1-1.6 /	75 /	3.0 /	6.5 /	0.3 /	4	90	3.5	76.5	3.0	10	0.4	39	1.5	75	3.0	74	2.9	70.5	2.8	M5	3/16"	
MVE 21/3 - 21/3M	MVE .0021.36.115	1	145	5.7	25	1.0	25-40 60	1-1.6 2.4	92 85	3.6 3.3	6.5 6.5	0.3 0.3	4	110	4.3	76.5	3.0	10	0.4	39	1.5	75	3.0	74	2.9	70.5	2.8	M5	3/16"	
MVE 41/3 - 41/3M	MVE .0041.36.115		161	6.3	33	1.3	25-40 60	1-1.6 2.4	92 85	3.6 3.3	6.5 6.5	0.3 0.3	4	110	4.3	76.5	3.0	10	0.4	39	1.5	75	3.0	74	2.9	70.5	2.8	M5	3/16"	

### 2 Poli trifase - 3000 Rpm 400V 50Hz / 3600 RPM 460V / 60Hz

50 Hz	60 Hz	60 Hz - USA code	CARATTERISTICHE MECCANICHE								CARATTERISTICHE ELETTRICHE														
			Momento dinamico (*)				FC				Peso		POTENZA				CORRENTE				Cos phi				
			kg*cm		in*lb		kg		lb		kg		lb		kW		Hp		A max						
			50Hz	60Hz	50Hz	60Hz	50Hz	60Hz	50Hz	60Hz	kg	lb	50Hz	60Hz	50Hz	60Hz	230V	400V	460V	230V	400V	460V	50Hz	50Hz	60Hz
MICRO 21/3	MICRO 21/36	MVE.0021.36.460	0.40	0.40	0.35	0.35	20	29	44	64	2	4.4	0.04	0.04	0.05	0.05	0.16	0.12	0.12	0.45	0.45	0.42	0.45	0.45	0.42
MICRO 41/3	MICRO 41/36	MVE.0041.36.460	0.90	0.90	0.78	0.78	45	65	99	143	2.4	5.3	0.06	0.06	0.08	0.08	0.30	0.18	0.18	0.44	0.44	0.40	0.44	0.40	

### 2 Poli monofase - 3000 Rpm 230V 50Hz / 3600 Rpm 115V 60Hz

Modello 50 Hz	Modello 60 Hz	60 Hz - USA code	CARATTERISTICHE MECCANICHE								CARATTERISTICHE ELETTRICHE													
			Momento dinamico (*)				FC				Peso		POTENZA				CORRENTE				COS PHI			
			kg*cm		in*lb		kg		lb		kg		lb		Kw		Hp		A max					
			50Hz	60Hz	50Hz	60Hz	50Hz	60Hz	50Hz	60Hz	kg	lb	50Hz	60Hz	50Hz	60Hz	230V	115V	230V	400V	460V	50Hz	50Hz	60Hz
MICRO 3/3 M	MICRO 3/36 M	MVE.0003.36.115	0.08	0.08	0.07	0.07	4	6	9	13	1.6	3.5	0.03	0.04	0.04	0.05	0.30	0.80	0.80	0.43	0.43	0.43	0.43	0.43
MICRO 6/3 M	MICRO 6/36 M	MVE.0006.36.115	0.12	0.12	0.10	0.10	6	9	13	20	1.6	3.5	0.03	0.04	0.04	0.05	0.30	0.80	0.80	0.43	0.43	0.43	0.43	0.43
MICRO 21/3 M	MICRO 21/36 M	MVE.0021.36.115	0.40	0.40	0.35	0.35	20	29	44	64	2	4.4	0.04	0.07	0.05	0.09	0.20	0.80	0.80	0.80	0.80	0.80	0.80	0.80
MICRO 41/3 M	MICRO 41/36 M	MVE.0041.36.115	0.90	0.90	0.78	0.78	45	65	99	143	2.4	5.3	0.05	0.07	0.07	0.09	0.25	0.80	0.80	0.80	0.80	0.80	0.80	0.80

(\*) = Momento dinamico = 2 x Momento statico

## MICRO - MOTOVIBRATORI ELETTRICI - 2 POLI MONOFASE O TRIFASE

APPLICAZIONE Piccole tramogge - micro vagli - scivoli - tavole, trasporti e canale vibranti

TIPO DI POLVERE Fine - Secca

PROBLEMA RISOLTO Ponti e fori di topo

## CARATTERISTICHE

SERVIZIO Discontinuo - S1

TEMPERATURA DI ESERCIZIO Da -20°C a 40°C (rom -4°F a 104°F)

MASSIMO LIVELLO DI RUMOROSITÀ 76 dB(A)

ATEX II 3 D Ex tD A22 Tx IP 66

MATERIALE Corpo in alluminio - Coperchi in acciaio inossidabile

CONDENSATORE MICRO 21 - 115v µF 4, 220v 50/60Hz µF1.5 | MICRO 41 - 115v µF 4, 220v 50/60Hz µF3

## ACCESSORI

ATEX II 2 D Ex t IIIC Tx Db IP 66

CABLAGGIO PERSONALIZZATO Disponibile su richiesta